

Instruction Manual

PN 51-5081C/rev.C

May 2005

Model 5081-C

Two-Wire Conductivity Transmitter



2.3.3 Pipe Mounting.

See Figure 2-2. The pipe mounting kit (PN 2002577) accommodates 1-1/2 to 2 in. pipe.

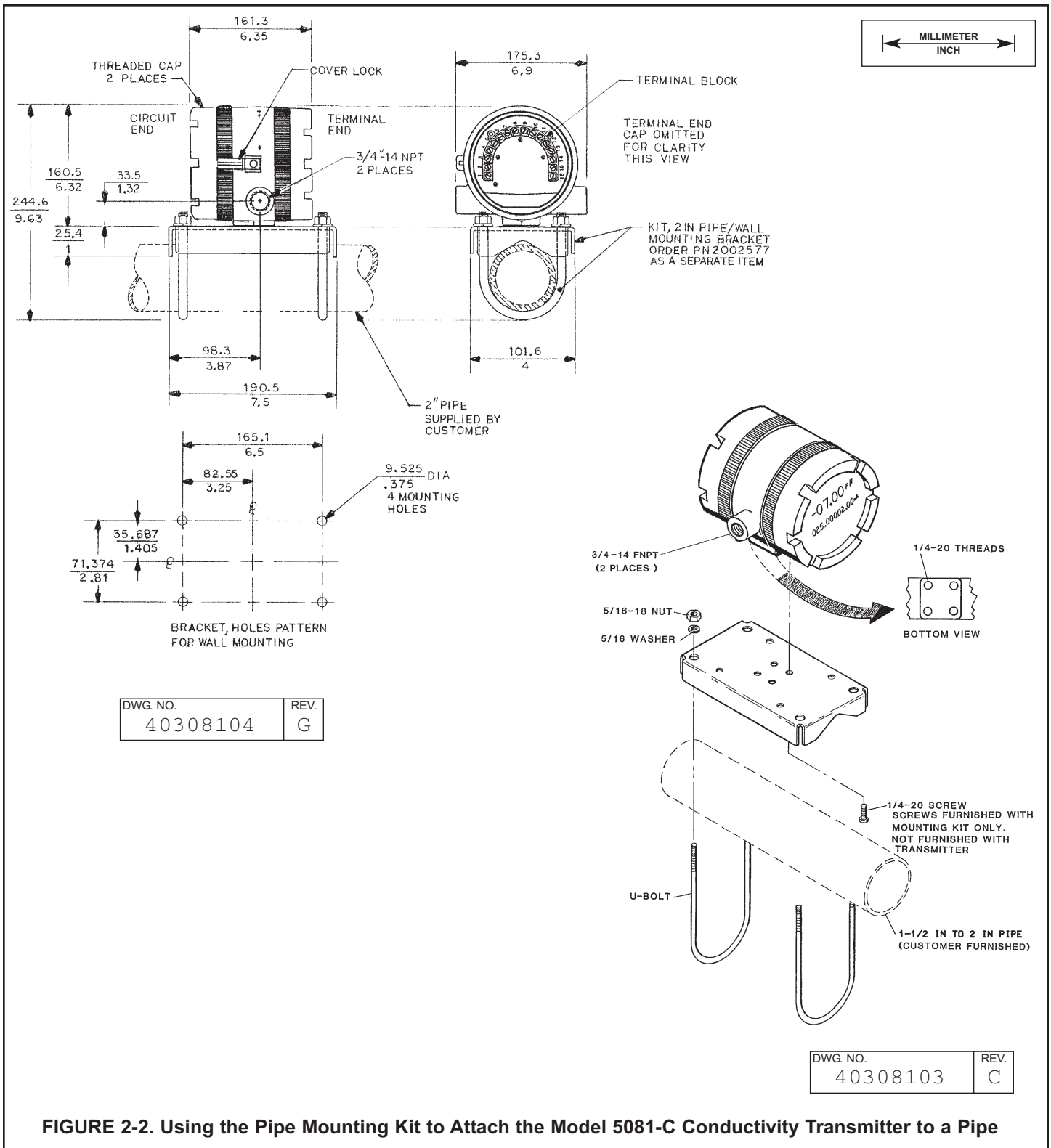


FIGURE 2-2. Using the Pipe Mounting Kit to Attach the Model 5081-C Conductivity Transmitter to a Pipe

TABLE 11-1. Model 5081C Replacement Parts and Accessories

Part #	Description
2002577	Pipe Mounting Bracket
23572-00	Infrared Remote Control
23593-01	Enclosure (Circuit End Cap)
23652-01	PCB (Display board)
23992-04	PCB Stack, 5081-C-HT (Fact Cal) w/o Display (CPU and Analog boards)
23992-05	PCB Stack, 5081-C-FF (Fact Cal) w/o Display (CPU and Analog boards)
33360-00	Enclosure (Body), Housing With Glass
33337-02	Terminal Block
33362-00	Enclosure Cover (Terminal End Cap)
9550187	O-Ring, Front / Rear Cover
33342-00	Lock, Cover, Front (Order P/N 33343-00 also)
33343-00	Locking Bracket Nut (Order P/N 33342-00 also)