

LISTEN.
THINK.
SOLVE.®

PowerFlex® 40P



TECHNICAL DATA

ADJUSTABLE FREQUENCY AC DRIVES

PowerFlex 40P Standard Drives

240V ac, Three-Phase Drives (50/60 Hz, No Filter)

Drive Ratings				Cat. No.		
kW	HP	Output Current (A)	Frame Size	IP20/NEMA Type Open	IP20 Plate Drive	IP20 Flange Mount ①
0.4	0.5	2.3	B	22D-B2P3N104	22D-B2P3H204	22D-B2P3F104
0.75	1.0	5.0	B	22D-B5P0N104	22D-B5P0H204	22D-B5P0F104
1.5	2.0	9.0	B	22D-B8P0N104	22D-B8P0H204	22D-B8P0F104
2.2	3.0	12	B	22D-B012N104	22D-B012H204	22D-B012F104
3.7	5.0	17.5	B	22D-B017N104	22D-B017H204	22D-B017F104
5.5	7.5	24	C	22D-B024N104	22D-B024H204	22D-B024F104
7.5	10	33	C	22D-B033N104	22D-B033H204	22D-B033F104

480V ac, Three-Phase Drives (50/60 Hz, No Filter)

Drive Ratings				Cat. No.		
kW	HP	Output Current (A)	Frame Size	IP20/NEMA Type Open	IP20 Plate Drive	IP20 Flange Mount ①
0.4	0.5	1.4	B	22D-D1P4N104	22D-D1P4H204	22D-D1P4F104
0.75	1.0	2.3	B	22D-D2P3N104	22D-D2P3H204	22D-D2P3F104
1.5	2.0	4.0	B	22D-D4P0N104	22D-D4P0H204	22D-D4P0F104
2.2	3.0	6.0	B	22D-D6P0N104	22D-D6P0H204	22D-D6P0F104
4.0	5.0	10.5	B	22D-D010N104	22D-D010H204	22D-D010F104
5.5	7.5	12	C	22D-D012N104	22D-D012H204	22D-D012F104
7.5	10	17	C	22D-D017N104	22D-D017H204	22D-D017F104
11	15	24	C	22D-D024N104	22D-D024H204	22D-D024F104

600V ac, Three-Phase Drives (50/60 Hz, No Filter)

Drive Ratings				Cat. No.		
kW	HP	Output Current (A)	Frame Size	IP20/NEMA Type Open	IP20 Plate Drive	IP20 Flange Mount ①
0.75	1.0	1.7	B	22D-E1P7N104	22D-E1P7H204	22D-E1P7F104
1.5	2.0	3.0	B	22D-E3P0N104	22D-E3P0H204	22D-E3P0F104
2.2	3.0	4.2	B	22D-E4P2N104	22D-E4P2H204	22D-E4P2F104
4.0	5.0	6.6	B	22D-E6P6N104	22D-E6P6H204	22D-E6P6F104
5.5	7.5	9.9	c	22D-E9P9N104	22D-E9P9H204	22D-E9P9F104
7.5	10	12	C	22D-E012N104	22D-E012H204	22D-E012F104
11	15	19	C	22D-E019N104	22D-E019H204	22D-E019F104

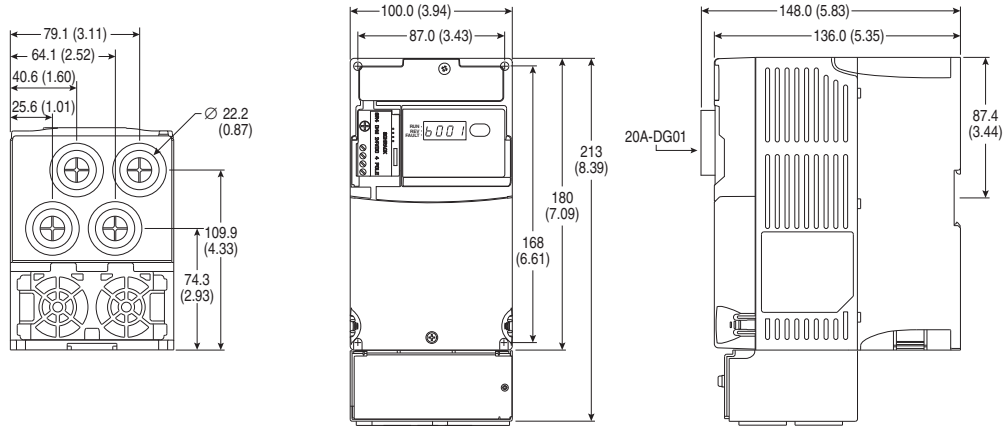
① Meets IP 40/54/65 (NEMA 1/12/4/4X) when installed in an enclosure of like rating.

Approximate Dimensions

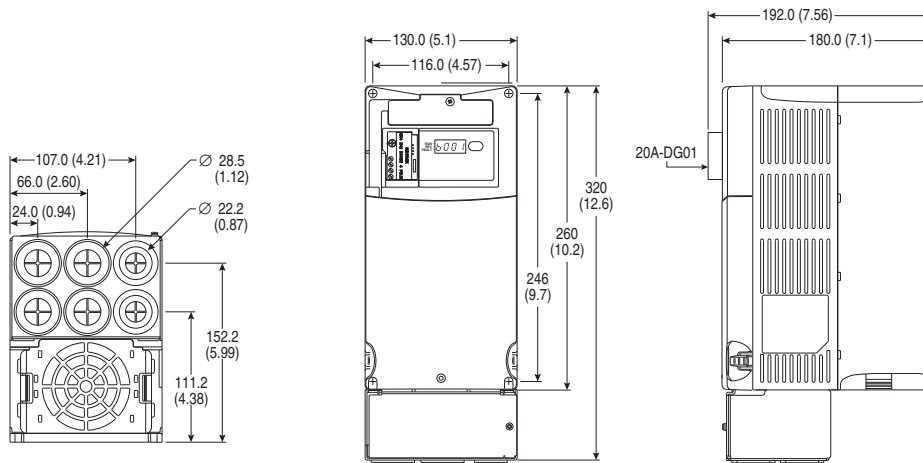
Ratings are in kW and (HP).

Frame	240V AC – 3-Phase		480V AC – 3-Phase		600V AC – 3-Phase	
B	0.4 (0.5)	2.2 (3.0)	0.4 (0.5)	2.2 (3.0)	0.75 (1.0)	2.2 (3.0)
	0.75 (1.0)	3.7 (5.0)	0.75 (1.0)	4.0 (5.0)	1.5 (2.0)	4.0 (5.0)
	1.5 (2.0)		1.5 (2.0)			
C	11.0 (15.0)	18.5 (25.0)	5.5 (7.5)	11.0 (15.0)	5.5 (7.5)	11.0 (15.0)
	15.0 (20.0)	22.0 (30.0)	7.5 (10.0)		7.5 (10.0)	

IP 30/NEMA 1/ UL Type 1 Option Kit without Communication Option



Frame B
(Shown with IP30/NEMA 1/UL Type 1 conversion kit.)



Frame C
(Shown with IP30/NEMA 1/UL Type 1 conversion kit.)