

# Reliable starting solutions

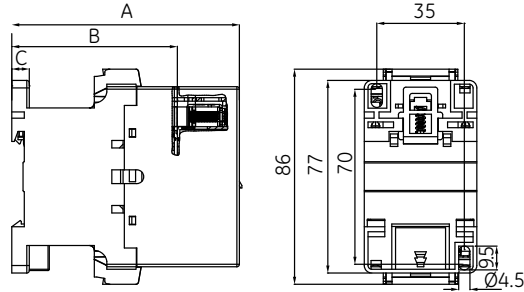
Efficor\*



Dimensions and weights

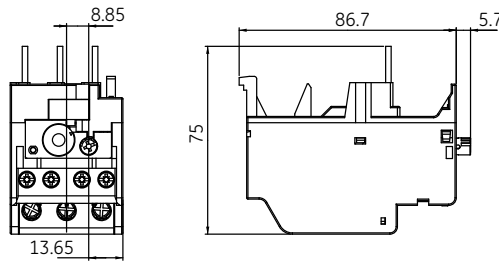
EC contactors

Contactors

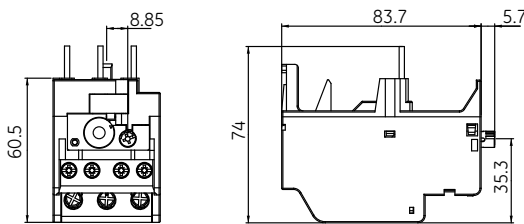


| Dimensions in mm | EC09A3 - EC18A3 | EC25A3 | EC32A3 - EC40A3 | EC09D3 - EC18D3 | EC25D3 | EC32D3 - EC40D3 |
|------------------|-----------------|--------|-----------------|-----------------|--------|-----------------|
| A                | 92              | 97     | 102             | 102             | 110    | 115             |
| B                | 66.2            | 66.2   | 67.2            | 76.2            | 80.2   | 81.2            |
| C                | 7               | 7      | 7               | 7               | 7      | 7               |
| Weight in g      | 350             | 490    | 530             | 620             | 700    | 740             |

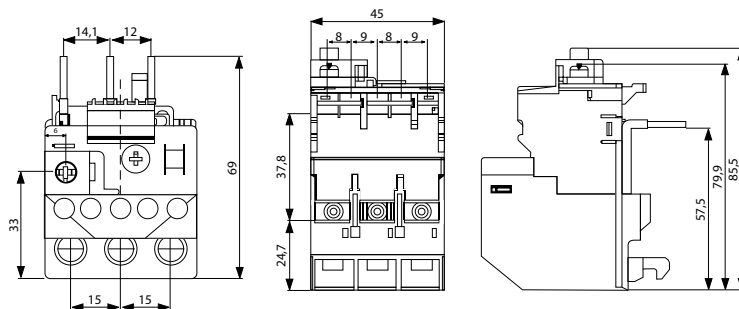
Thermal overload relay ECRT1  
186 g



Thermal overload relay ECRT2  
194 g



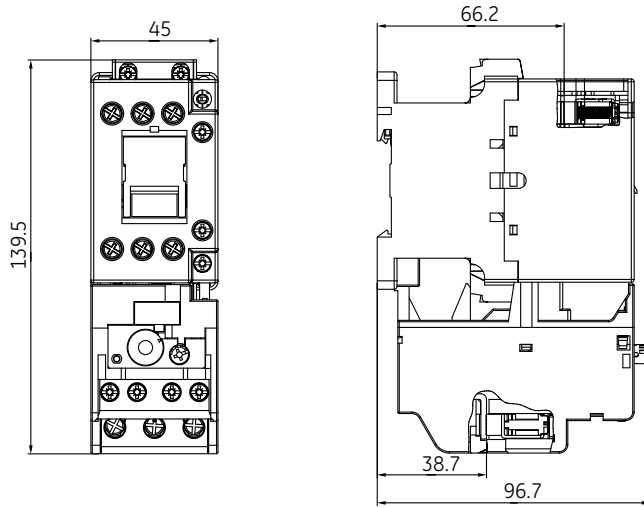
Electronic overload relay RE1  
200 g



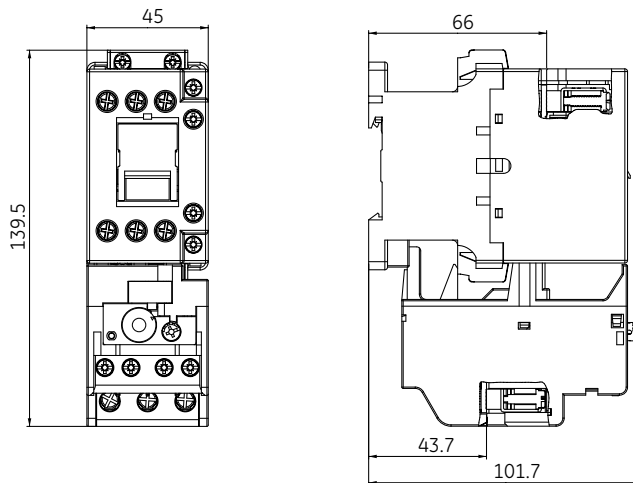
Dimensions and weights

EC contactors

Combination of contactor EC09A-12A-18A and thermal overload relay ECRT1



Combination of contactor EC25A and thermal overload relay ECRT2



Combination of contactor EC32A-40A and thermal overload relay ECRT2

