

Transmitter weight

Aluminum 3.1 lb. (1.4 kg)

Stainless steel 7.8 lb. (3.5 kg)

Enclosure ratings

Type 4X

IP66 and IP68

Stability

RTDs: ± 0.1 percent of reading or 0.1 °C (0.18 °F), whichever is greater, for two years for RTDs.

Thermocouples: ± 0.1 percent of reading or 0.1 °C (0.18 °F), whichever is greater, for one year for thermocouples.

Five-year stability

RTDs: ± 0.25 percent of reading or 0.25 °C, whichever is greater, for five years.

Thermocouples: ± 0.5 percent of reading or 0.5 °C, whichever is greater, for five years.

Vibration effect

Tested to the following with no effect on performance per IEC 60770-1, 1999:

Frequency	Vibration
10 to 60 Hz	0.21 mm displacement
60 to 2000 Hz	3 g peak acceleration

Self calibration

The analog-to-digital measurement circuitry automatically self-calibrates for each temperature update by comparing the dynamic measurement to extremely stable and accurate internal reference elements.

Radio frequency interference (RFI) effect

Worst case RFI effect is equivalent to the transmitter's nominal accuracy specification, when tested in accordance with IEC 61000-4-3, 30 V/m (HART®)/20 V/m (HART thermocouple (T/C)) /10 V/m (FOUNDATION Fieldbus), 80 to 1000 MHz, with unshielded cable.

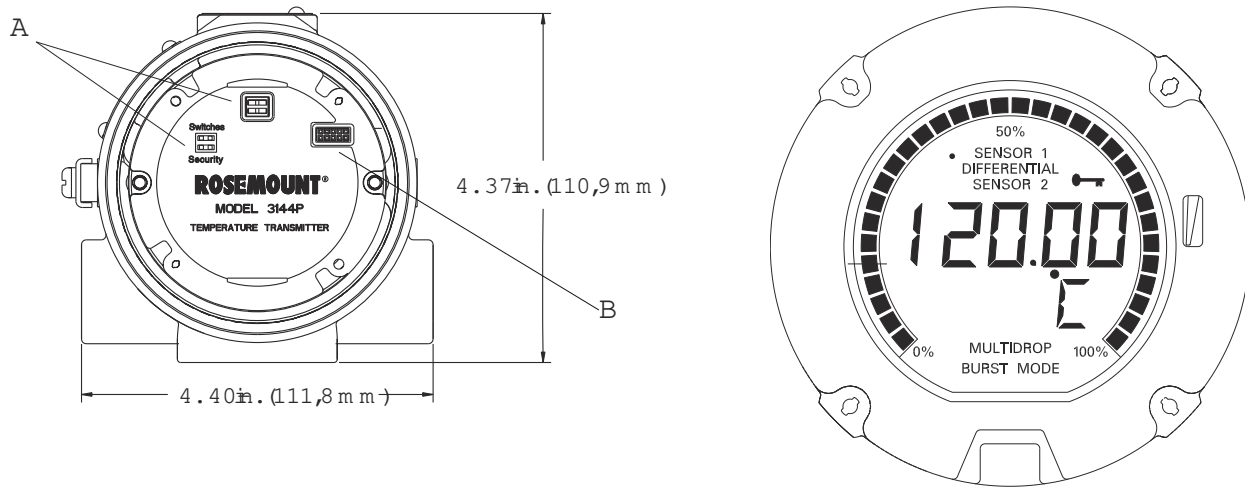
Electromagnetic compatibility (EMC)

Meets all industrial environment requirements of EN61326 and NAMUR NE-21. Maximum deviation <1 percent span during EMC disturbance.

Note

During surge event, device may exceed maximum EMC deviation limit; however, device will self-recover and return to normal operation within specified start-up time.

Figure 3: Switch location and LCD display face plate

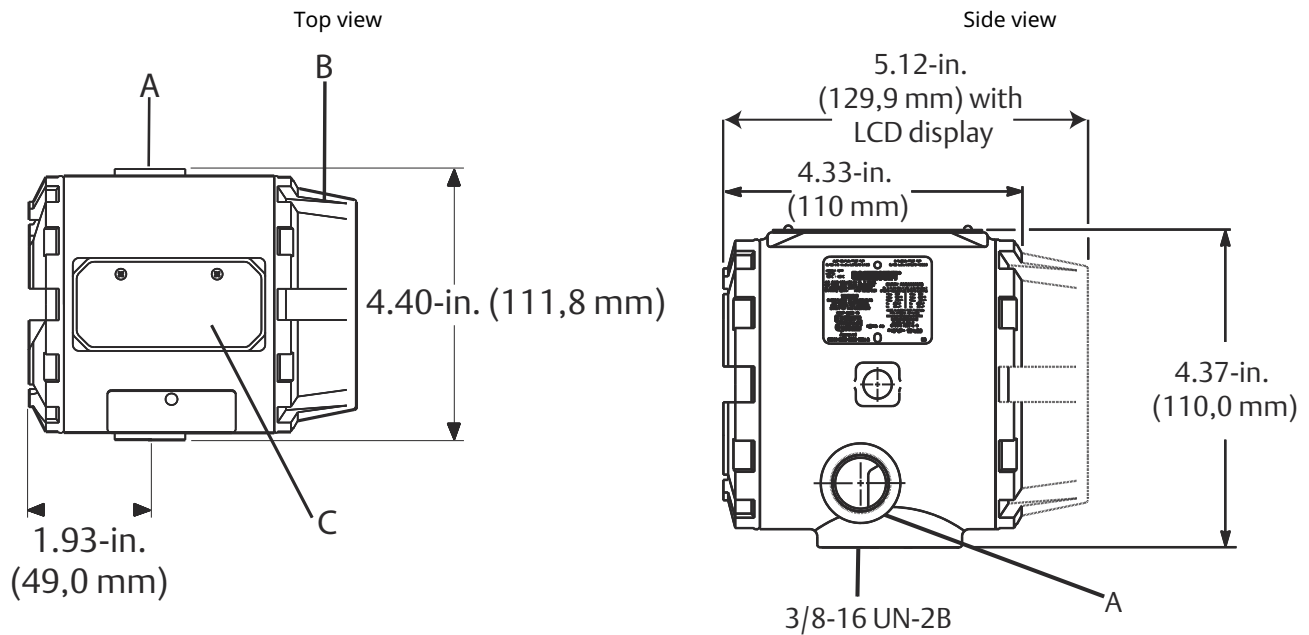


- A. Switches⁽¹⁾
- B. LCD display connector

Note

Dimensions are in inches (millimeters).

Figure 4: Transmitter view



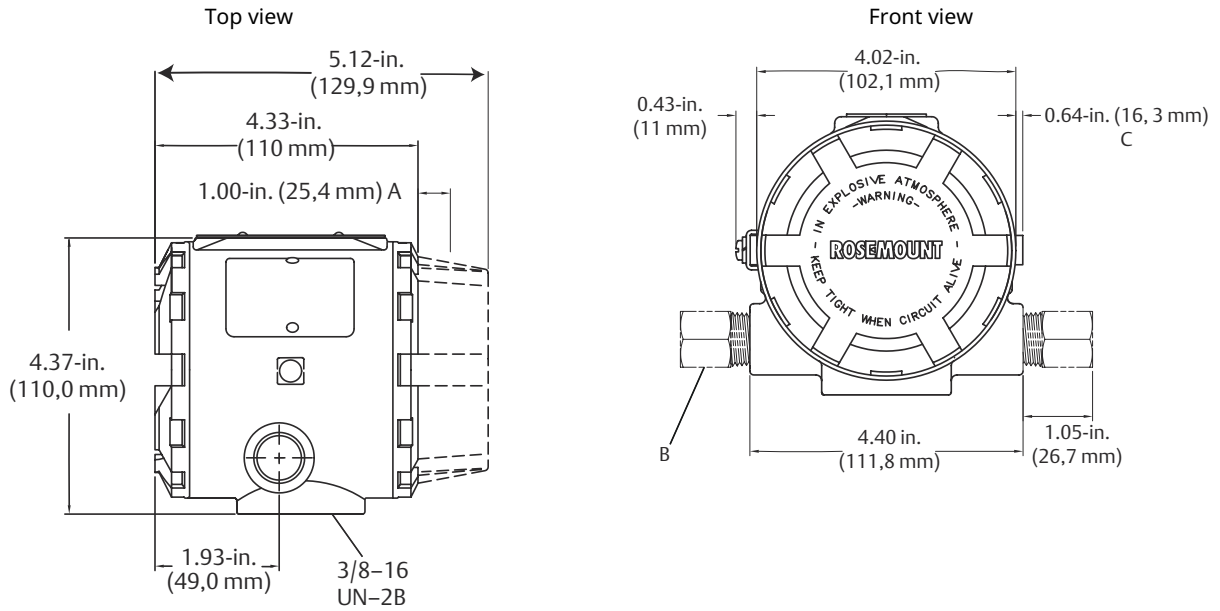
- A. Conduit entry
- B. Display cover
- C. Name plate

(1) Alarm and write protect (HART®), simulate and write protect (FOUNDATION™ Fieldbus).

Note

Dimensions are in inches (millimeters).

Figure 5: Transmitter for conduits with M20 3 1.5, PG 13.5 entries



- A. Clearance required to remove cover
- B. Adapters for M20 x 1.5, PG 13.5
- C. Explosion/flameproof clamp (option code dependent)

Note

Dimensions are in inches (millimeters).