

Load feeder fuseless direct-on-line starting, 400 V AC Size S00 0.55-0.8 A, 24 V DC 1 NO (contactor), Screw terminal on 60 mm busbar adapter Type of coordination 2, Iq = 50 kA !!! Phased-out product !!! Successor is SIRIUS 3RA2 Preferred successor type is >>3RA2110-0HD15-1BB4<<



Figure similar

<b>Product brand name</b>	SIRIUS
<b>Product designation</b>	non-fused load feeder
<b>Design of the product</b>	direct starter
<b>Manufacturer's article number</b>	
<ul style="list-style-type: none"> <li>• of the supplied contactor</li> <li>• of the supplied circuit-breakers</li> <li>• of the supplied busbar adapter</li> <li>• of the supplied link module</li> </ul>	<a href="#">3RT1015-1BB41</a> <a href="#">3RV1011-0HA10</a> <a href="#">8US1251-5DM07</a> <a href="#">3RA1911-1AA00</a>

General technical data	
<b>Size of load feeder</b>	S00
<b>Product extension</b>	
<ul style="list-style-type: none"> <li>• Auxiliary switch</li> </ul>	Yes
<b>Insulation voltage</b>	
<ul style="list-style-type: none"> <li>• rated value</li> </ul>	690 V
<b>Degree of pollution</b>	3
<b>Surge voltage resistance rated value</b>	6 kV
<b>Protection class IP</b>	

• on the front	IP20
<b>Shock resistance</b>	9.8g
<b>Mechanical service life (switching cycles)</b>	
• of contactor typical	30 000 000
<b>Type of assignment</b>	2
• (certificate of suitability)	UL / CSA / CCC / GL / LRS / BV / DNV / PRS
<b>Reference code acc. to DIN 40719 extended according to IEC 204-2 acc. to IEC 750</b>	Q
<b>Reference code acc. to DIN EN 81346-2</b>	Q
<b>Reference code acc. to DIN EN 61346-2</b>	Q

#### Ambient conditions

<b>Installation altitude at height above sea level</b>	
• maximum	2 000 m

#### Main circuit

<b>Number of poles for main current circuit</b>	3
<b>Design of the switching contact</b>	electromechanical
<b>Adjustable pick-up value current of the current-dependent overload release</b>	0.55 ... 0.8 A
<b>Type of the motor protection</b>	bimetal
<b>Operating voltage</b>	
• at AC-3 rated value maximum	400 V
<b>Operating current</b>	
• at AC-3	
— at 400 V rated value	0.6 A
<b>Operating power</b>	
• at AC-3	
— at 400 V rated value	0.18 kW
• (no-load operating)	15 1/s

#### Control circuit/ Control

<b>Type of voltage of the control supply voltage</b>	DC
<b>Control supply voltage 1</b>	
• at DC rated value	24 V

#### Auxiliary circuit

<b>Number of NO contacts for auxiliary contacts</b>	1
---	---

#### Protective and monitoring functions

<b>Maximum short-circuit current breaking capacity (Icu)</b>	
• at 400 V rated value	50 kA

#### Short-circuit protection

<b>Product function Short circuit protection</b>	Yes
<b>Design of short-circuit protection</b>	circuit-breakers

## Installation/ mounting/ dimensions

• (mounting position)	with vertical mounting surface +/-90° rotatable, with vertical mounting surface +/- 22.5° tiltable to the front and back
• (mounting type)	snap-on mounting
(height)	203 mm
Width	45 mm
Depth	128 mm
Busbar center-to-center spacing	60 mm
<b>Required spacing</b>	
• with side-by-side mounting	
— at the side	0 mm
• for grounded parts	
— forwards	10 mm
— Backwards	0 mm
— upwards	20 mm
— at the side	9 mm
• for live parts	
— forwards	10 mm
— Backwards	9 mm
— downwards	0 mm
— at the side	20 mm

## Connections/Terminals

<b>Type of electrical connection</b>	
• for main current circuit	screw-type terminals
<b>Type of connectable conductor cross-sections</b>	
• for main contacts	
— solid	0.5 ... 4 mm <sup>2</sup> , 2x (0.75 ... 2.5 mm <sup>2</sup> )
— stranded	0.5 ... 4 mm <sup>2</sup> , 2x (0.75 ... 2.5 mm <sup>2</sup> )
— finely stranded with core end processing	0.5 ... 2.5 mm <sup>2</sup> , 2x (0.5 ... 2.5 mm <sup>2</sup> )
• at AWG conductors for main contacts	2x (18 ... 14)
<b>Connectable conductor cross-section for main contacts</b>	
• single or multi-stranded	0.5 ... 4 mm <sup>2</sup>
• stranded	0.5 ... 4 mm <sup>2</sup>
• finely stranded with core end processing	0.5 ... 2.5 mm <sup>2</sup>
<b>AWG number as coded connectable conductor cross section</b>	
• for main contacts	18 ... 14

## Communication/ Protocol

<b>Protocol is supported</b>	
• PROFIBUS DP protocol	No

• PROFINET protocol	No
Product function Bus communication	No
Protocol is supported	
• AS-interface protocol	No

Inputs/ Outputs	
Number of digital inputs	0

Certificates/approvals			
General Product Approval	For use in hazardous locations	Declaration of Conformity	Marine / Shipping



[Miscellaneous](#)



Marine / Shipping	other
-------------------	-------



[Confirmation](#)

### Further information

**Information- and Downloadcenter (Catalogs, Brochures,...)**

<http://www.siemens.com/industrial-controls/catalogs>

**Industry Mall (Online ordering system)**

<https://mall.industry.siemens.com/mall/en/en/Catalog/product?mlfb=3RA1110-0HD15-1BB4>

**Cax online generator**

<http://support.automation.siemens.com/WW/CAXorder/default.aspx?lang=en&mlfb=3RA1110-0HD15-1BB4>

**Service&Support (Manuals, Certificates, Characteristics, FAQs,...)**

<https://support.industry.siemens.com/cs/ww/en/ps/3RA1110-0HD15-1BB4>

**Image database (product images, 2D dimension drawings, 3D models, device circuit diagrams, EPLAN macros, ...)**

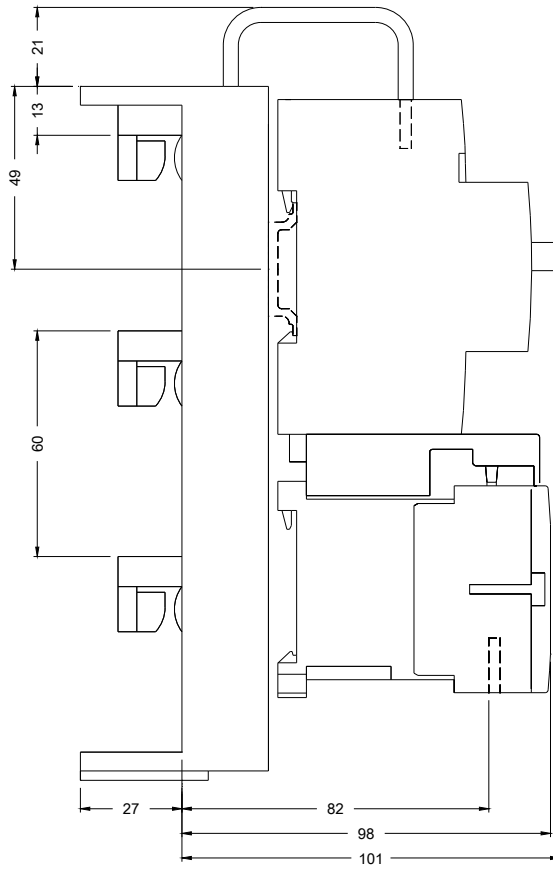
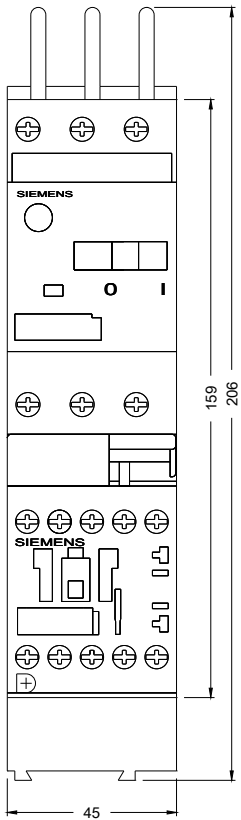
[http://www.automation.siemens.com/bilddb/cax\\_de.aspx?mlfb=3RA1110-0HD15-1BB4&lang=en](http://www.automation.siemens.com/bilddb/cax_de.aspx?mlfb=3RA1110-0HD15-1BB4&lang=en)

**Characteristic: Tripping characteristics, I<sub>Δt</sub>, Let-through current**

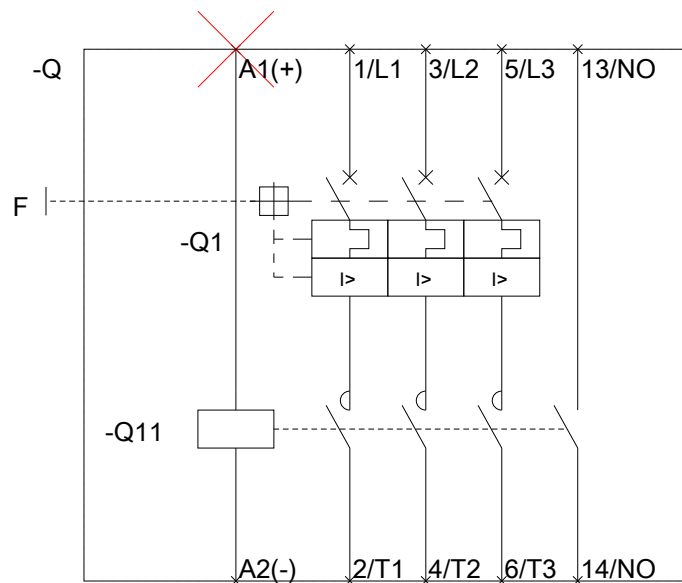
<https://support.industry.siemens.com/cs/ww/en/ps/3RA1110-0HD15-1BB4/char>

**Further characteristics (e.g. electrical endurance, switching frequency)**

<http://www.automation.siemens.com/bilddb/index.aspx?view=Search&mlfb=3RA1110-0HD15-1BB4&objectype=14&gridview=view1>



3RA1110\_00000472\_001\_ALL



last modified:

05/04/2019