

Load feeder fuseless direct-on-line starting, 400 V AC Size S00 4.5-6.3 A, 24 V DC 1 NO (contactor), Screw terminal on 60 mm busbar adapter Type of coordination 1, Iq = 50 kA !!! Phased-out product !!! Successor is SIRIUS 3RA2 Preferred successor type is >>3RA2110-1GD15-1BB4<<



Figure similar

Product brand name	SIRIUS
Product designation	non-fused load feeder
Design of the product	direct starter
Manufacturer's article number	
<ul style="list-style-type: none"> • of the supplied contactor • of the supplied circuit-breakers • of the supplied busbar adapter • of the supplied link module 	<ul style="list-style-type: none"> 3RT1015-1BB41 3RV1011-1GA10 8US1251-5DM07 3RA1911-1AA00

General technical data	
Size of load feeder	S00
Product extension	
<ul style="list-style-type: none"> • Auxiliary switch 	Yes
Insulation voltage	
<ul style="list-style-type: none"> • rated value 	690 V
Degree of pollution	3
Surge voltage resistance rated value	6 kV
Protection class IP	

• on the front	IP20
Shock resistance	9.8g
Mechanical service life (switching cycles)	
• of contactor typical	30 000 000
Type of assignment	1
• (certificate of suitability)	UL / CSA / CCC / GL / LRS / BV / DNV / PRS
Reference code acc. to DIN 40719 extended according to IEC 204-2 acc. to IEC 750	Q
Reference code acc. to DIN EN 81346-2	Q
Reference code acc. to DIN EN 61346-2	Q

Ambient conditions

Installation altitude at height above sea level	
• maximum	2 000 m

Main circuit

Number of poles for main current circuit	3
Design of the switching contact	electromechanical
Adjustable pick-up value current of the current-dependent overload release	4.5 ... 6.3 A
Type of the motor protection	bimetal
Operating voltage	
• at AC-3 rated value maximum	400 V
Operating current	
• at AC-3	
— at 400 V rated value	5 A
Operating power	
• at AC-3	
— at 400 V rated value	2.2 kW
• (no-load operating)	15 1/s

Control circuit/ Control

Type of voltage of the control supply voltage	DC
Control supply voltage 1	
• at DC rated value	24 V

Auxiliary circuit

Number of NO contacts for auxiliary contacts	1
---	---

Protective and monitoring functions

Maximum short-circuit current breaking capacity (Icu)	
• at 400 V rated value	50 kA

Short-circuit protection

Product function Short circuit protection	Yes
Design of short-circuit protection	circuit-breakers

Installation/ mounting/ dimensions

• (mounting position)	with vertical mounting surface +/-90° rotatable, with vertical mounting surface +/- 22.5° tiltable to the front and back
• (mounting type)	snap-on mounting
(height)	203 mm
Width	45 mm
Depth	128 mm
Busbar center-to-center spacing	60 mm
Required spacing	
• with side-by-side mounting	
— at the side	0 mm
• for grounded parts	
— forwards	10 mm
— Backwards	0 mm
— upwards	20 mm
— at the side	9 mm
• for live parts	
— forwards	10 mm
— Backwards	9 mm
— downwards	0 mm
— at the side	20 mm

Connections/Terminals

Type of electrical connection	
• for main current circuit	screw-type terminals
Type of connectable conductor cross-sections	
• for main contacts	
— solid	0.5 ... 4 mm ² , 2x (0.75 ... 2.5 mm ²)
— stranded	0.5 ... 4 mm ² , 2x (0.75 ... 2.5 mm ²)
— finely stranded with core end processing	0.5 ... 2.5 mm ² , 2x (0.5 ... 2.5 mm ²)
• at AWG conductors for main contacts	2x (18 ... 14)
Connectable conductor cross-section for main contacts	
• single or multi-stranded	0.5 ... 4 mm ²
• stranded	0.5 ... 4 mm ²
• finely stranded with core end processing	0.5 ... 2.5 mm ²
AWG number as coded connectable conductor cross section	
• for main contacts	18 ... 14

Communication/ Protocol

Protocol is supported	
• PROFIBUS DP protocol	No

• PROFINET protocol	No
Product function Bus communication	No
Protocol is supported	
• AS-interface protocol	No

Inputs/ Outputs	
Number of digital inputs	0

Certificates/approvals			
General Product Approval	For use in hazardous locations	Declaration of Conformity	Marine / Shipping



[Miscellaneous](#)



Marine / Shipping	other
-------------------	-------



[Confirmation](#)

Further information

Information- and Downloadcenter (Catalogs, Brochures,...)

<http://www.siemens.com/industrial-controls/catalogs>

Industry Mall (Online ordering system)

<https://mall.industry.siemens.com/mall/en/en/Catalog/product?mlfb=3RA1110-1GD15-1BB4>

Cax online generator

<http://support.automation.siemens.com/WW/CAXorder/default.aspx?lang=en&mlfb=3RA1110-1GD15-1BB4>

Service&Support (Manuals, Certificates, Characteristics, FAQs,...)

<https://support.industry.siemens.com/cs/ww/en/ps/3RA1110-1GD15-1BB4>

Image database (product images, 2D dimension drawings, 3D models, device circuit diagrams, EPLAN macros, ...)

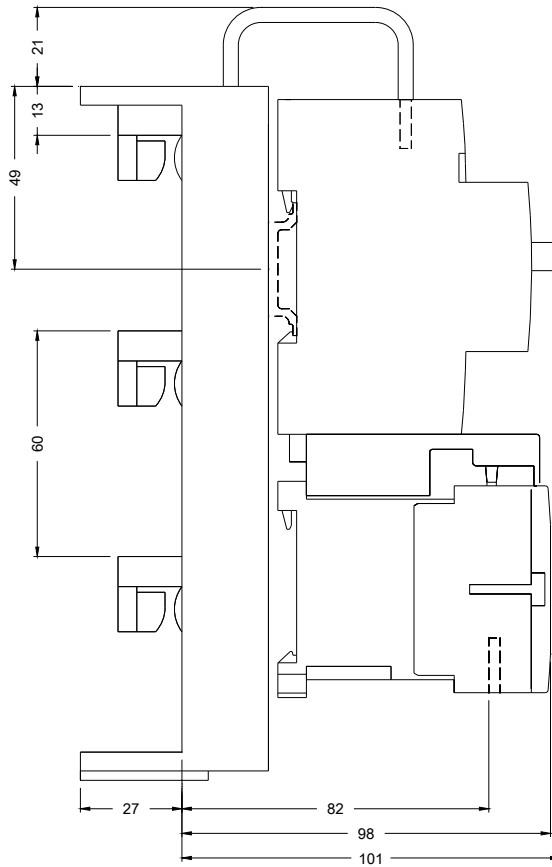
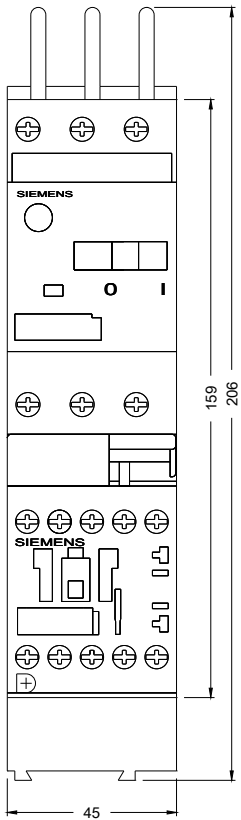
http://www.automation.siemens.com/bilddb/cax_de.aspx?mlfb=3RA1110-1GD15-1BB4&lang=en

Characteristic: Tripping characteristics, I_{Δt}, Let-through current

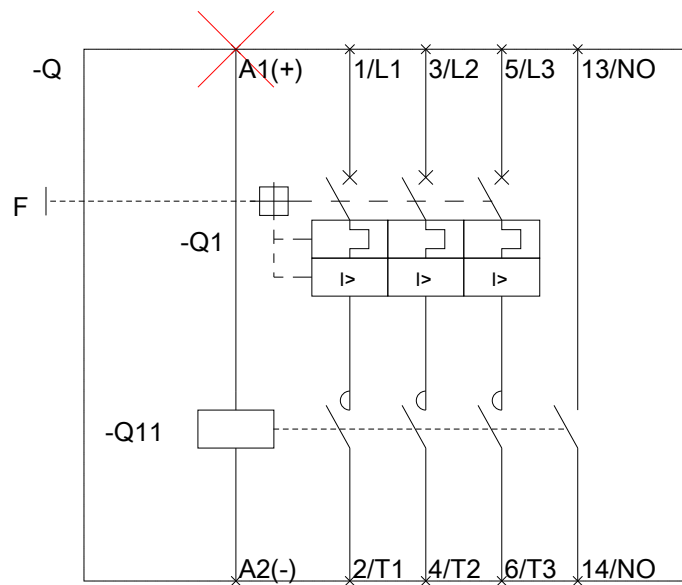
<https://support.industry.siemens.com/cs/ww/en/ps/3RA1110-1GD15-1BB4/char>

Further characteristics (e.g. electrical endurance, switching frequency)

<http://www.automation.siemens.com/bilddb/index.aspx?view=Search&mlfb=3RA1110-1GD15-1BB4&objectype=14&gridview=view1>



3RA1110_00000472_001_ALL



last modified:

05/04/2019