

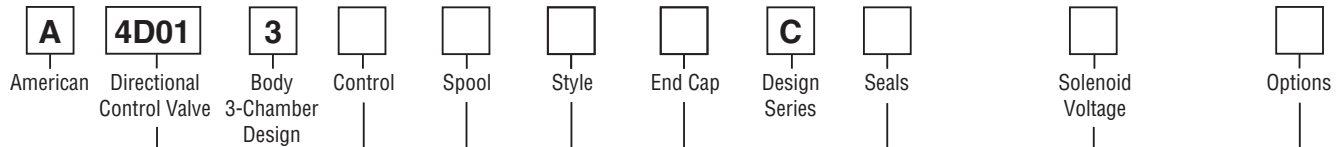


Series A4D01 Directional Control Valves C Design

Catalog HY14-1610/US



DENISON Hydraulics



NFPA D03
 CETOP 3
 DIN NG6

Code	Description
1	1 Solenoid
2	2 Solenoids
7*	2 Solenoids and 2 Position Detents

* Spools 11 and 51 only

Code	Description
01	For Control 1
02	For Control 2 and 7

Code	Description
G0Q	24 VDC
G0R	12 VDC
GAN	98 VDC
W30	120/60 – 110/50 VAC
W31	240/60 – 220/50 VAC

Code	Description
1	NBR
4	EPR
5	FPM

Code	Description
Omit	Standard Valve
28	Wiring Box w/o Terminal Strip
32†	Solenoid Tube w/o Manual Override
52	Extended Solenoid Tube w/Rubber Boot
61*	Wiring Box w/Lights
62**	Wiring Box w/Lights, Brad Harrison Connector
D2	CSA/UL Explosion Proof
G3†	Soft Shift w/0.030" Orifice

† DC only.
 * Replaces 81 Option.
 ** Replaces 49 Option.

Code	Symbol	Code	Symbol
01		11*	
02		12**	
03		46	
07*		51**	
08		64	
09		65	
10			

* 07 and 11 spools have open crossover.
 ** 12 and 51 spools have closed crossover

All valves are CSA certified.

Valve Weight:

Single Solenoid 1.36 kg (3.0 lbs.)
 Double Solenoid 1.6 kg (3.5 lbs.)

Standard Bolt Kit: BK209

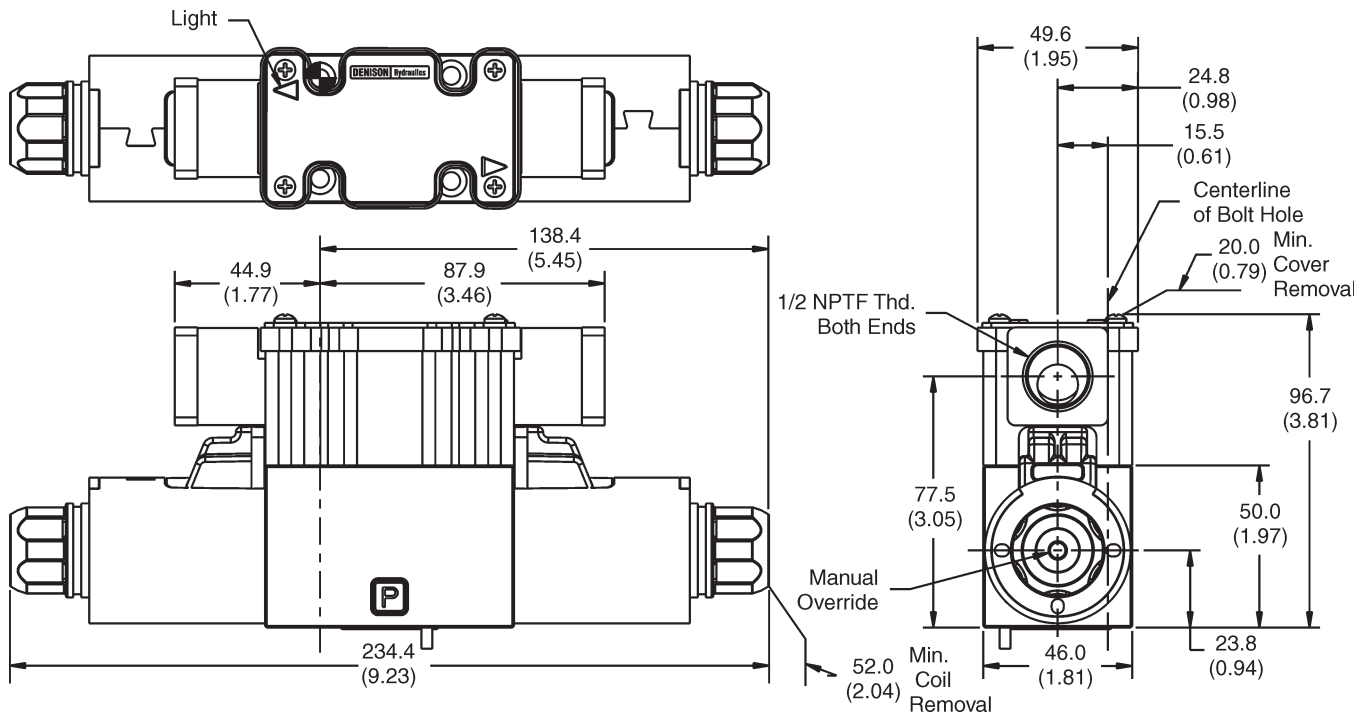
Metric Bolt Kit: BKM209

Code	Description	Symbol
01*	Single solenoid, 2 position, spring offset. P to A and B to T in offset position.	
02*	Single solenoid, 2 position, spring offset. P to B and A to T in offset position.	
03	Double solenoid, 3 position, spring centered.	
05	Single solenoid, 2 position, spring centered. P to A and B to T when energized.	
06	Single solenoid, 2 position, spring centered. P to B and A to T when energized.	
09	Double solenoid, 2 position, detent.	

* 11, 12, and 51 spools only.

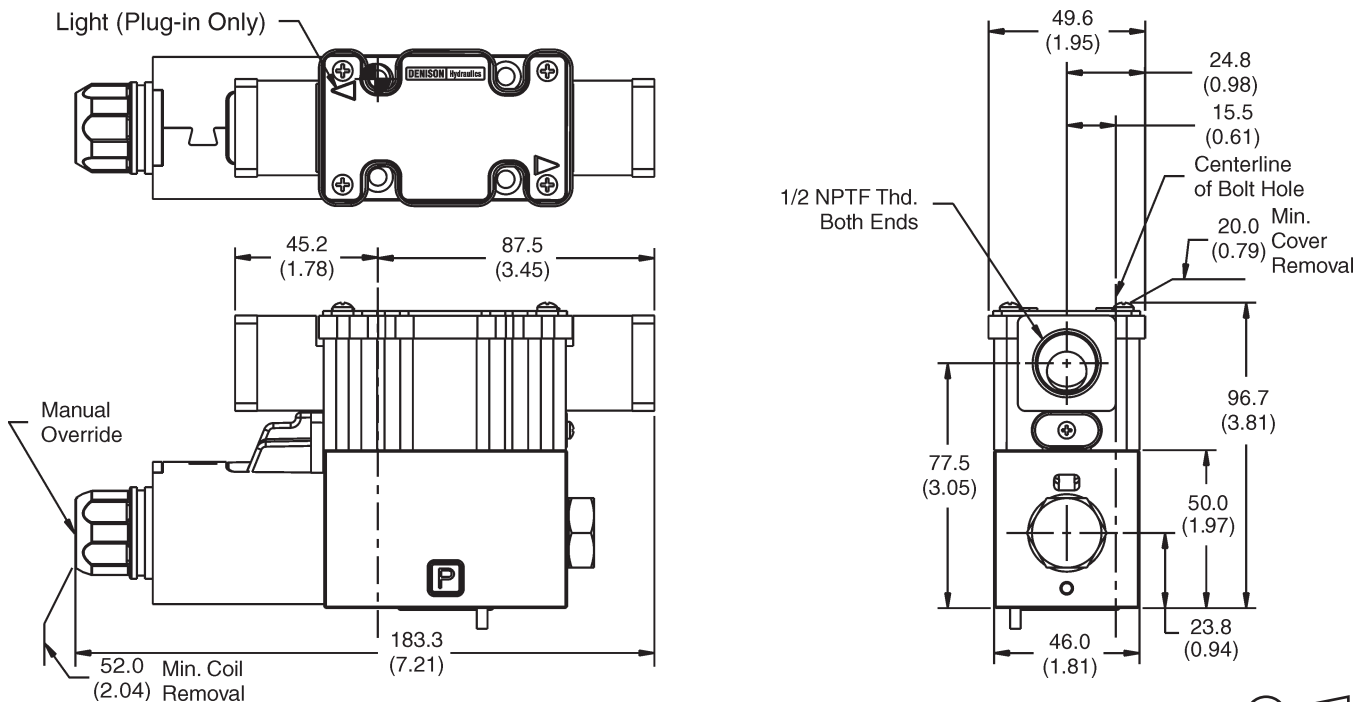
Inch equivalents for millimeter dimensions are shown in (**)

**DC Plug-In Conduit Box Connector,
with Lights, Double Solenoid**



Note: 22.0 mm (0.87") from bottom of bolt hole counterbore to bottom of valve.

**DC Plug-In or Leadwire Conduit Box Connector,
with or without Lights, Single Solenoid**



Note: 22.0 mm (0.87") from bottom of bolt hole counterbore to bottom of valve.