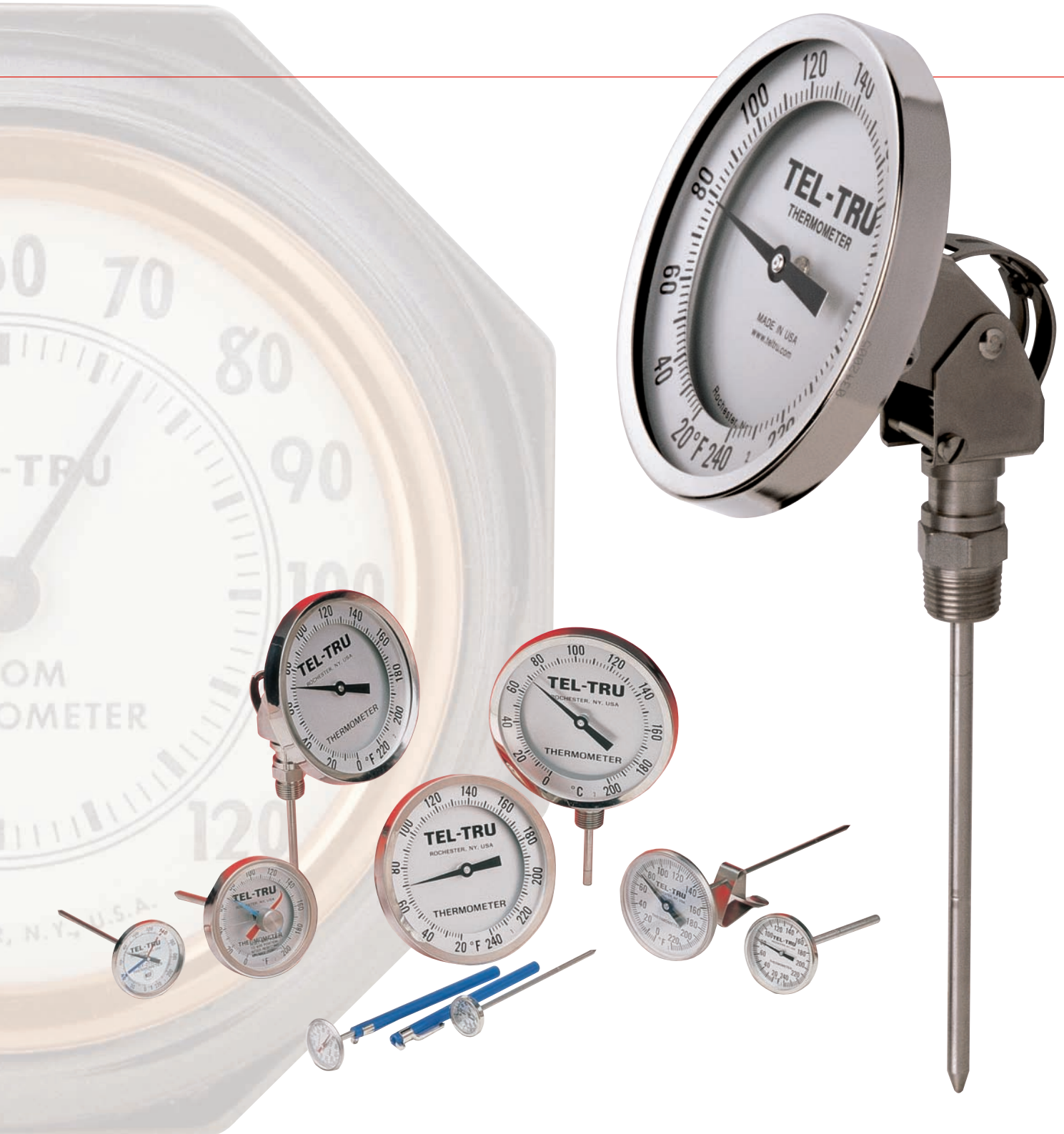




TEL-TRU MANUFACTURING COMPANY BIMETAL THERMOMETERS



Temperature + Pressure

Since
1916

www.teltru.com

How to Order

► HOW TO ORDER:

EXAMPLE

MODEL CODE	STEM LENGTH	RANGE
3410	04	59

- 1) Model Code _____
- 2) Connection Size and Thread Type _____
- 3) Stem Length _____
- 4) Temperature Range _____
- 5) *State Options and Accessories When Required – See Standard Features and Options Table*

► MODEL CODES, CONNECTIONS SIZE AND THREAD TYPE

Dial Size	.250" Diameter Stems– Industrial				CODE
Model	NPT	Lens	Con. Loc.		
2" (51mm)	LN250	1/4"	Glass	Back	3110
	LN250R	1/4"	Glass	Back	3210
3" (80mm)	GT300	1/2"	Glass	Back	3310
	GT300R	1/2"	Glass	Back	3410
	MX325R	1/2"	Glass	Back	3610
	MM325R	1/2"	Glass	Back	5010
	BC350R	1/2"	Glass	Bottom	3910
	AA375R	1/2"	Glass	Adjustable	4110
4" (100mm)	GT400	1/2"	Glass	Back	4510
	GT400R	1/2"	Glass	Back	4810
	BC450R	1/2"	Glass	Bottom	4610
	AA475R	1/2"	Glass	Adjustable	4710
5" (128mm)	GT500	1/2"	Glass	Back	3710
	GT500R	1/2"	Glass	Back	3810
	MX525R	1/2"	Glass	Back	5310
	MM525R	1/2"	Glass	Back	5410
	BC550R	1/2"	Glass	Bottom	4010
	AA575R	1/2"	Glass	Adjustable	4210

Dial Size	.150" Diameter Stems– Industrial				CODE
Model	NPT	Lens	Con. Loc.		
1 3/4" (44mm)	GT200	1/8"	Glass	Back	1910
	GT200	1/4"	Glass	Back	2010
2" (51mm)	GT225	1/8"	Glass	Back	4910
	GT225	1/4"	Glass	Back	491A

Dial Size	.150" Diameter Stems– Pocket/Laboratory				CODE
Model	NPT	Lens	Con. Loc.		
1" (25mm)	PT50R	N/A	Plycrb.	Back	1210
	PT50	N/A	Plycrb.	Back	1110
	AD10R	N/A	Plycrb.	Back	1219
1 3/8" (36mm)	AD44R	N/A	Plycrb.	Back	4419
1 3/4" (44mm)	MT39	N/A	Glass	Back	1310
	MT39R	N/A	Glass	Back	1410
	GT100R	N/A	Glass	Back	1610
2" (51mm)	LT225R	N/A	Glass	Back	2310
	LT225	N/A	Glass	Back	2210
3" (80mm)	LT325R	N/A	Glass	Back	2410

► STEM LENGTHS

Stem Lengths	Code
-2 1/2" (63mm)	02
4" (100mm)	04
* 5" (128mm)	05
6" (152mm)	06
* 8" (203mm)	08
9" (229mm)	09
12" (305mm)	12
15" (381mm)	15
18" (457mm)	18
24" (610mm)	24

* Laboratory and test thermometers .150" only

► STANDARD TEMPERATURE RANGES

Fahrenheit	Code	Celsius	Code
-100/100	51	-75/175	87
-50/120	52	-70/70	EA
-40/160	53	-50/100	71
0/140	54	-50/25	72
0/180	55	-50/50	73
0/200	50	-40/70	84
0/220	56	-20/120	86
0/250	67	-10/110	74
0/300	57	0/50	75
0/500	58	0/60	95
20/240	59	0/80	EI
25/125	60	0/100	76
50/250	61	0/150	77
50/300	62	0/200	78
50/400	63	0/250	79
50/500	64	0/300	80
50/550	68	0/400	81
100/800	44	0/450	90
150/750	65	100/400	82
200/1000	66	100/550	83

DUAL RANGES

Fahrenheit	Celsius	Code
-100/100	-75/40	01
-40/160	-40/70	02
0/140	-18/60	13
0/180	-18/82	03
0/220	-10/100	04
0/250	-20/120	14
20/240	-10/110	05
25/125	0/50	06
50/300	10/150	07
50/400	0/200	08
50/500	0/250	09
150/750	50/400	10
200/1000	100/550	11

Availability of temperature ranges varies by model. Dial size must be 1-3/8" or larger.



Tel-Tru Manufacturing Company

408 St. Paul St., Rochester, New York 14605 USA

Phone: 585.232.1440 • 800.232.5335 • Fax: 585.232.3857 • E-mail: info@teltru.com • Web: www.teltru.com

➤ **STANDARD RANGES:**

Fahrenheit	°/Div.	Celsius	°/Div.	Dual	
				Fahrenheit	Celsius
-100/100°	2°	-75/175°	5°	-100/100	-75/40
-50/120°	2°	-70/70°	1°	-40/160	-40/70
-40/160°	2°	-50/100°	1°	-0/140	-18/60
0/140°	1°	-50/25°	1°	0/180	-18/82
0/180°	2°	-50/50°	1°	0/220	-10/100
0/200°	2°	-40/70°	1°	0/250	-20/120
0/220°	2°	-20/120°	1°	20/240	-10/110
0/250°	2°	-10/110°	1°	25/125	-5/50
0/300°	5°	0/50°	1/2°	50/300	10/150
0/500°	10°	0/60°	1°	50/400	0/200
20/240°	2°	0/80°	1/2°	50/500	10/260
25/125°	1°	0/100°	1°	150/750	50/400
50/250°	2°	0/150°	1°	* 200/1000	* 100/550
50/300°	2°	0/200°	2°		
50/400°	5°	0/250°	2°		
50/500°	5°	0/300°	5°		
50/550°	5°	0/400°	5°		
100/800°	10°	0/450°	5°		
150/750°	10°	100/400°	5°		
* 200/1000°	10°	* 100/550°	5°		

(Additional Ranges Available – Consult factory)

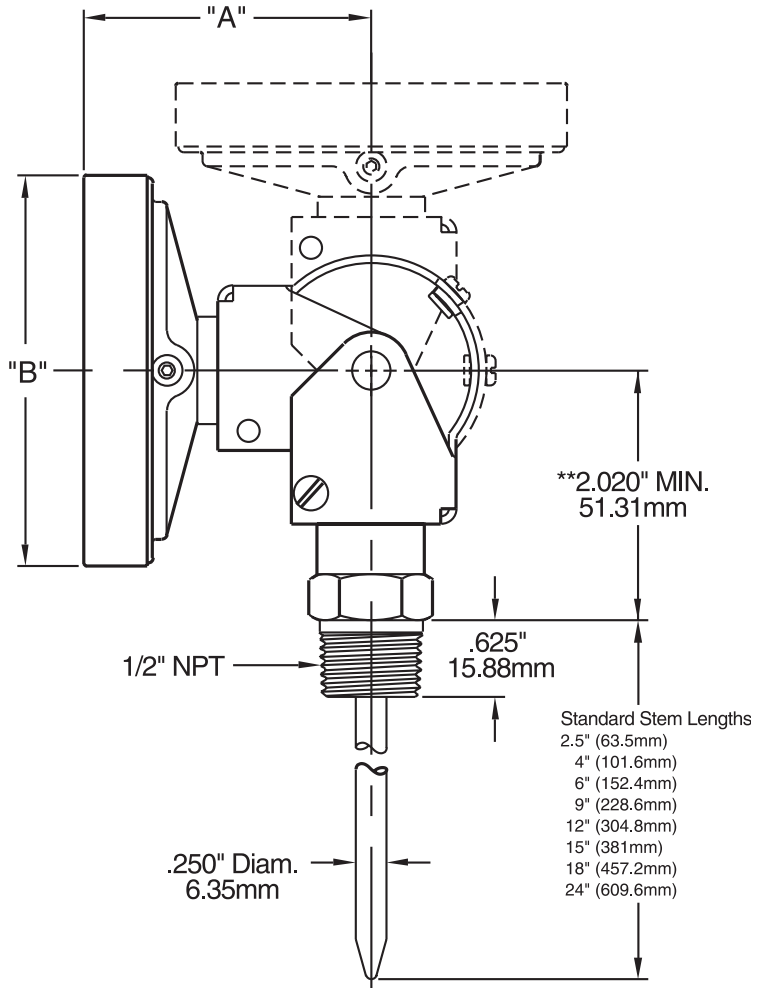
* Thermometers with temperature ranges 200/1000°F and 100/550°C are NOT RECOMMENDED FOR CONTINUOUS USE ABOVE 800°F/425°C (FOR INTERMITTENT USE ONLY).

➤ **OPTIONS:**

- Union connection or other connection types and sizes.
- Silicone filled.
- Other lenses are acrylic, polycarbonate, shatterproof glass or tempered glass.
- Other stem diameters .236" (6mm), .315" (8mm), .375" (9.52mm).
- 316SS wetted parts.
- Other configuration combinations available upon request.

Estimated Shipping Weights		
MODEL	DRY	SILICONE FILLED
AA-375R	. 1lb.	1lb. 3oz.
AA-475R	. 1lb. 8oz.	1lb. 14oz.
AA-575R	. 1lb. 12oz.	2lb. 6oz.

➤ **AA-375R, AA-475R AND AA-575R**



MODEL	"A"	"B"
AA-375R	2.430" (61.72mm)	3.187" (80.95mm)
AA-475R	2.430" (61.72mm)	4.115" (104.50mm)
AA-575R, UT-575	2.660" (67.56mm)	5.040" (128.02mm)

** Contact factory if specific dimension is required for OEM applications.

➤ **FOR HOW TO ORDER, SEE PAGE 6**

➤ **IMPORTANT NOTES:**

- 1) Thermowells are recommended for pressure, corrosive fluid or high velocity applications.
- 2) ASME B40.3— Bimetal thermometers manufactured by Tel-Tru and offered in this brochure are designed to meet or exceed this Standard issued by the American Society of Mechanical Engineers.