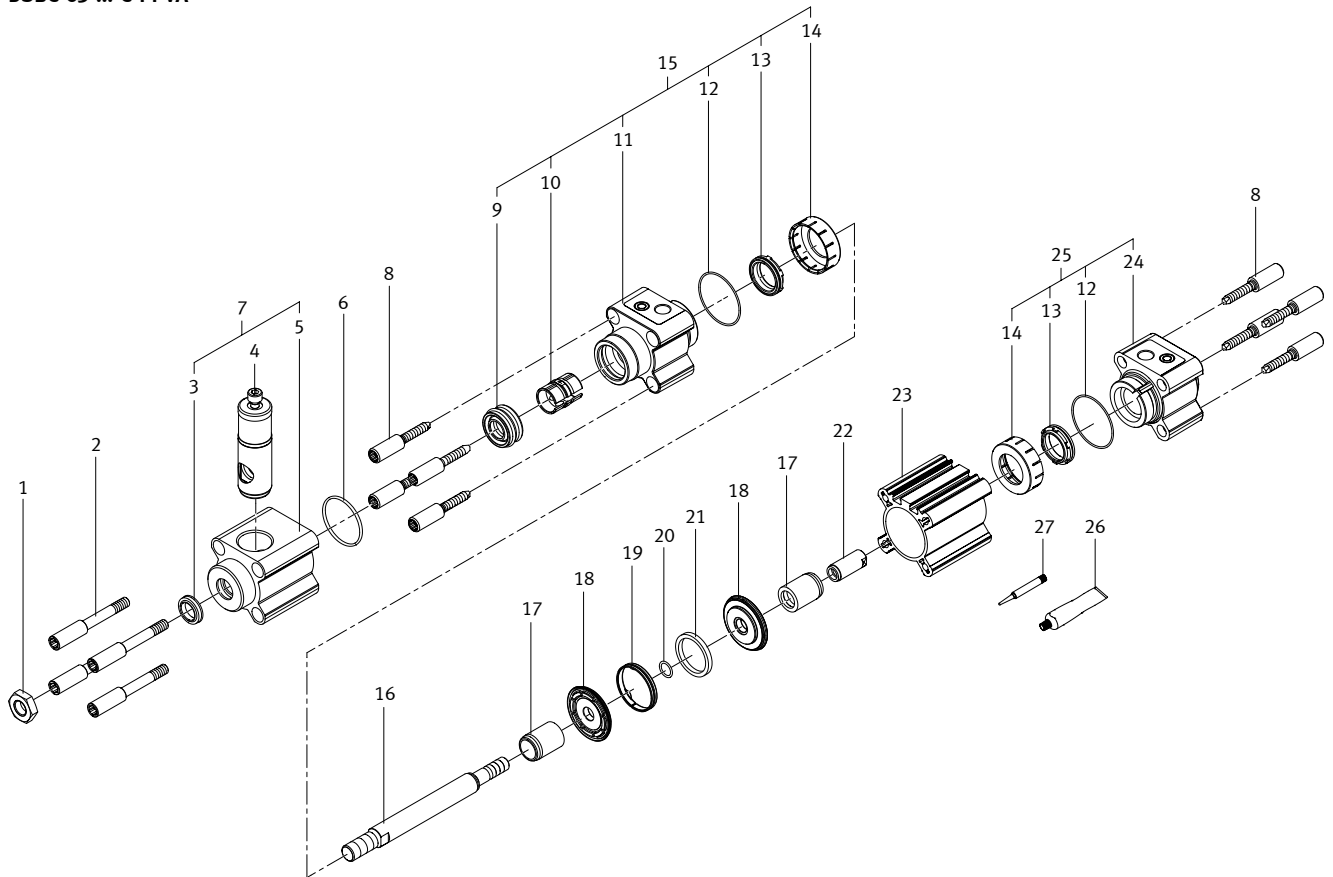


1463475 DSBC-...-63- - standards-based cylinder - Series: All

DSBC-63-...-C-PPVA



1463475 DSBC-...-63- - standards-based cylinder - Series: All

DSBC-63-...-C-PPVA

[→ Display in the catalog](#)
[→ Spare parts catalog](#)

Pos.	Part no.	Type	Note	Qty.	Unit	
A	753091	DSBC/G- 63- - Set of wearing parts	Attention, please order position 3+6 as well → Replacing the wearing parts Spare parts: 9, 12, 13, 14, 18, 19, 20, 26, 27	1	Pc	
1	200127	DIN 439-B-M16X1,5-04 Hex nut		1	Pc	
2	377377	BKPH- 63-DNC flange screw	Tightening torque 10 Nm / 7.4 lbf ft Use thread locking agent. See position no. 27	4	Pc	
3	359748	WIFC1-20X25X4,6-TPE-U Wiper seal	Not included in set of wearing parts Grease during re-assembly. See position no. 26	1	Pc	
4	178459	KP-20-2000 Clamping cartridge		1	Pc	
5		BKPH-63-DSBX Retainer	Not available separately, see position 7	1	Pc	
6	321371	B-45X2-N-NBR70 O-ring ISO3601	Not included in set of wearing parts Grease during re-assembly. See position no. 26	1	Pc	
7	1871977	BKPH-63-DSBX Retainer module		1	Pc	
8	660986	DNCB-63 flange screw	Tightening torque 13 Nm / 9.6 lbf ft Use thread locking agent. See position no. 27	8	Pc	
9	229860	WIFC2-20X30X10,7-TPE-U Wiper seal	Grease during re-assembly. See position no. 26	1	Pc	
10	4402008	DSBX-50/63 Bearing	Grease during re-assembly. See position no. 26	1	Pc	
11		DSBX-63-PPV:CO Bearing cap	Not available separately, see position 15	1	Pc	
12		B-63X1,2-N-NBR70 O-ring ISO3601	Not available separately, see position 15 / 25 / A Grease during re-assembly. See position no. 26	2	Pc	
13		DIFC1-25X33X7,8-TPE-U Buffer seal	Not available separately, see position 15 / 25 / A Grease during re-assembly. See position no. 26	2	Pc	
14		DSBX-63 Holding disc	Not available separately, see position 15 / 25 / A	2	Pc	
15	1261960	DSBC/G-63-PPV Bearing cap module		1	Pc	
16	753084	DSBC-63- -ET Piston rod	When ordering please specify the configuration (see type plate)	1	Pc	
17	332089	50/63 PPV Buffer sleeve		2	Pc	
18		BA-K01D-063 Piston module	Not available separately, see position A	2	Pc	
19		BA-K01F-063 Guiding band	Not available separately, see position A	1	Pc	
20		B-11,5X1,5-N-NBR75 O-ring ISO3601	Not available separately, see position A Grease during re-assembly. See position no. 26	1	Pc	
21	4760181	59,9X47,9X4,5BA-K01M-063 Ring magnet		1	Pc	
22	712745	M12X1.25-D50/63 Threaded coupling	Tightening torque 40 Nm / 29.5 lbf ft Use thread locking agent. See position no. 27	1	Pc	
23		DSBC-63- Cylinder barrel	Not available Grease during re-assembly. See position no. 26	1	Pc	
24		DSBX-63-PPV:CO End cap	Not available separately, see position 25	1	Pc	
25	1297495	DSBC/G-63-PPV End cap module		1	Pc	
26	684474	LUB-KC1 SILIKONFREI 20ML Lubricating grease		1	Pc	
27	8181256	CYBERBOND TM44 TB1ML Adhesive bonding agent		1	Pc	

