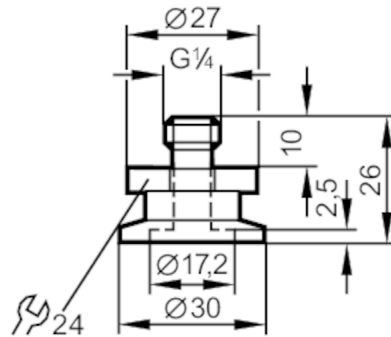


# E30065



## Mounting adapter for process sensors

ADAPT G1/4-FLANGE NW16



### Application

Design	small flange G1/4 - DIN 28403 DN16
Pressure rating [bar]	10

### Tests / approvals

Pressure Equipment Directive	A possible classification to PED depends on the application and has to be carried out by the user / operator.
Pressure Equipment Directive EAC	The adapter is intended for use in devices, machines and installations that do not fall under the categories of the technical rule TR CU 032/2013.
Safety instructions	The compatibility between medium and product material has to be checked in all applications.

### Mechanical data

Weight [g]	67
Materials	stainless steel (1.4301 / 304)
Sensor connection	G 1/4
Process connection	flange DN16

### Remarks

Pack quantity	1 pcs.
---------------	--------