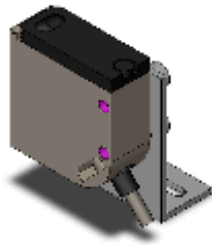


Distance-settable Photoelectric Sensor with Metal Case

E3S-CL2 2M

Sensing distance 5 to 500 mm, Cable length 2 m



Image

Sensing method	Distance-setting
Sensing distance	White paper 200 x 200 mm, setting distance: 500 mm: 5 to 500 mm
Light source	Infrared LED (850 nm)
Connection method	Pre-wired models

Ratings/Performance

As of March 28, 2023

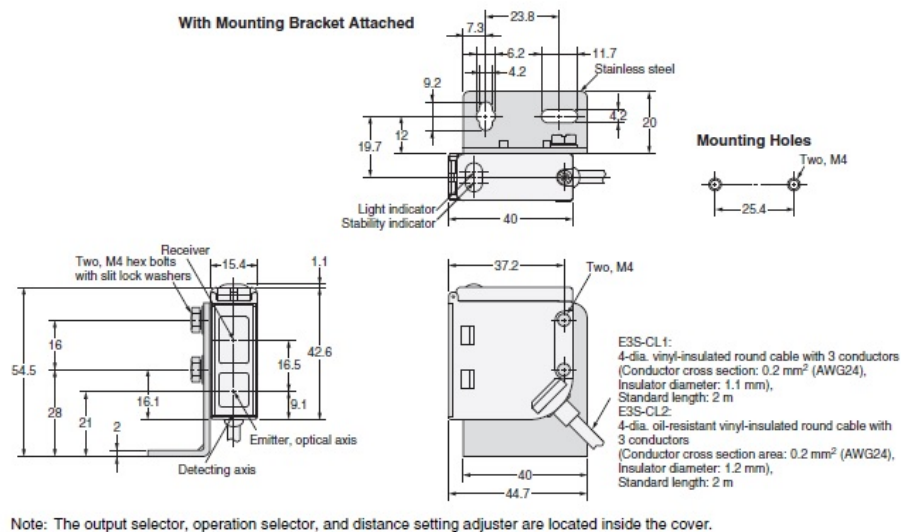
Shape	Square type
Sensing method	Distance-setting
Sensing distance	White paper 200 x 200 mm, setting distance: 500 mm: 5 to 500 mm
Setting range	White paper 200 x 200 mm: 50 to 500 mm
Differential distance	10% max. of setting distance
Reflectivity characteristic (black-white error)	10% max. of setting distance
Light source	Infrared LED (850 nm)
Power supply voltage	10 to 30 VDC ripple (p-p) 10% included
Current consumption	50 mA max.
Control output	NPN/PNP open collector (selectable) 30 VDC max. 100 mA max. Residual voltage: 1.2 V max.(NPN output) Residual voltage: 2 V max.(PNP output)
Operation mode	Light-ON/Dark-ON selectable
Protective circuit	Output short-circuit protection, Power supply reverse polarity protection
Response time	Operate or reset: 2 ms max.
Sensitivity setting	6-turn endless adjustment (with indicator)
Ambient illuminance	Incandescent lamp: 5,000 lx max. Sunlight: 10,000 lx max.

Ambient temperature range (Operating)	-25 to 55 °C (with no freezing or condensation)
Ambient temperature range (Storage)	-40 to 70 °C (with no freezing or condensation)
Ambient humidity range (Operating)	35 to 85 % (with no condensation)
Ambient humidity range (Storage)	35 to 95 % (with no condensation)
Insulation resistance	20 MΩ min. (500 VDC megger)
Dielectric strength	1000 VAC 50/60 Hz 1 min
Vibration resistance	Destruction: 10 to 55 Hz, 1.5 mm double amplitude each in X, Y, and Z directions for 2 h
Shock resistance	Destruction: 500 m/s ² 3 times each in X, Y and Z directions
Degree of protection	IEC: IP67 NEMA: 6P (indoors only) Company standard: Oil-proof
Connection method	Pre-wired models (Cable length 2 m)
Indicator	Light indicator (orange), Stability indicator (green)
Weight	Package: Approx. 170 g
Accessories	Instruction manual, Mounting bracket, Adjustment driver, Hexagon bolt M4 x 12 (with Spring washers, Flat washers)
Material	Case: Zinc diecast Lens: Methacrylate resin Cover: Polyether sulfone Mounting Bracket: Stainless steel (SUS304)

As of March 28, 2023

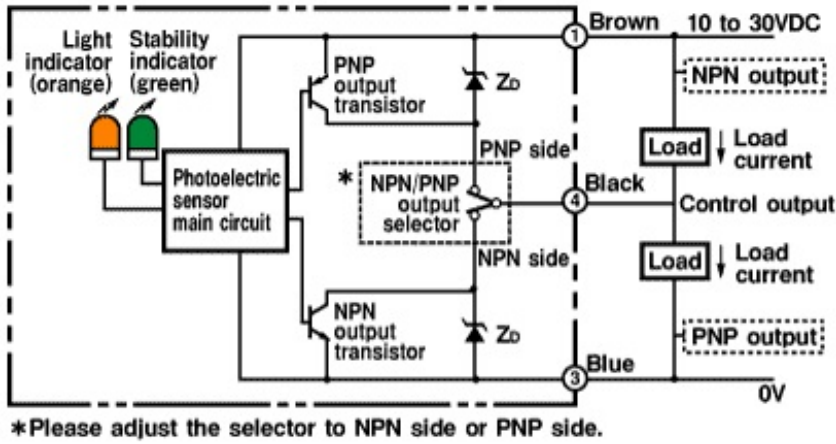
Dimensions

As of March 28, 2023



Output circuit diagram

As of March 28, 2023



As of March 28, 2023

Timing chart

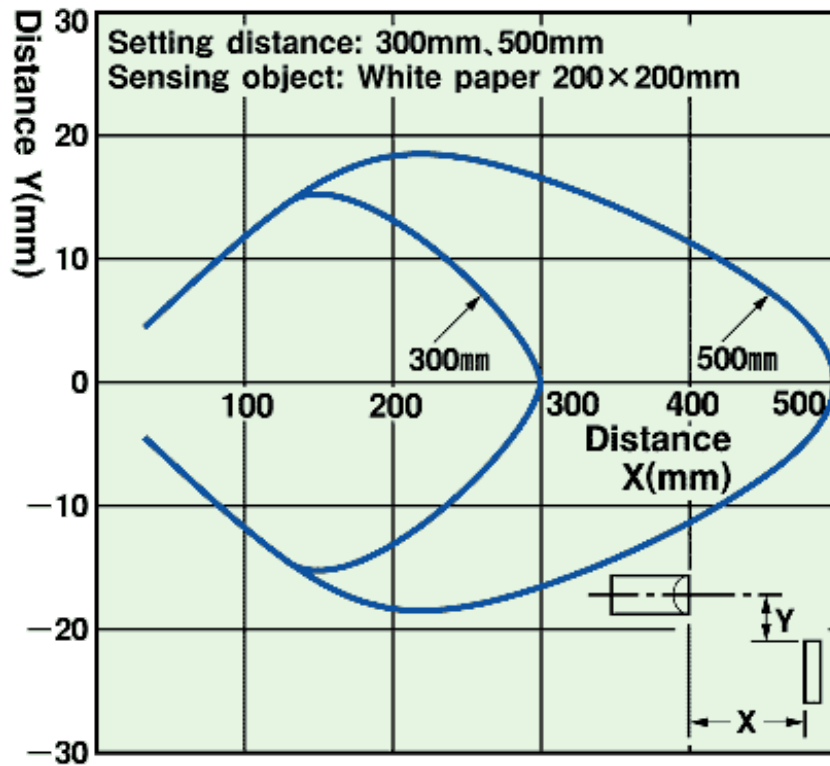
As of March 28, 2023

NPN/PNP output selector	Operation mode	Timing chart	Mode switch
NPN output	Light ON		L.ON (LIGHT ON)
	Dark ON		D.ON (DARK ON)
PNP output	Light ON		L.ON (LIGHT ON)
	Dark ON		D.ON (DARK ON)

As of March 28, 2023

Operating range

As of March 28, 2023

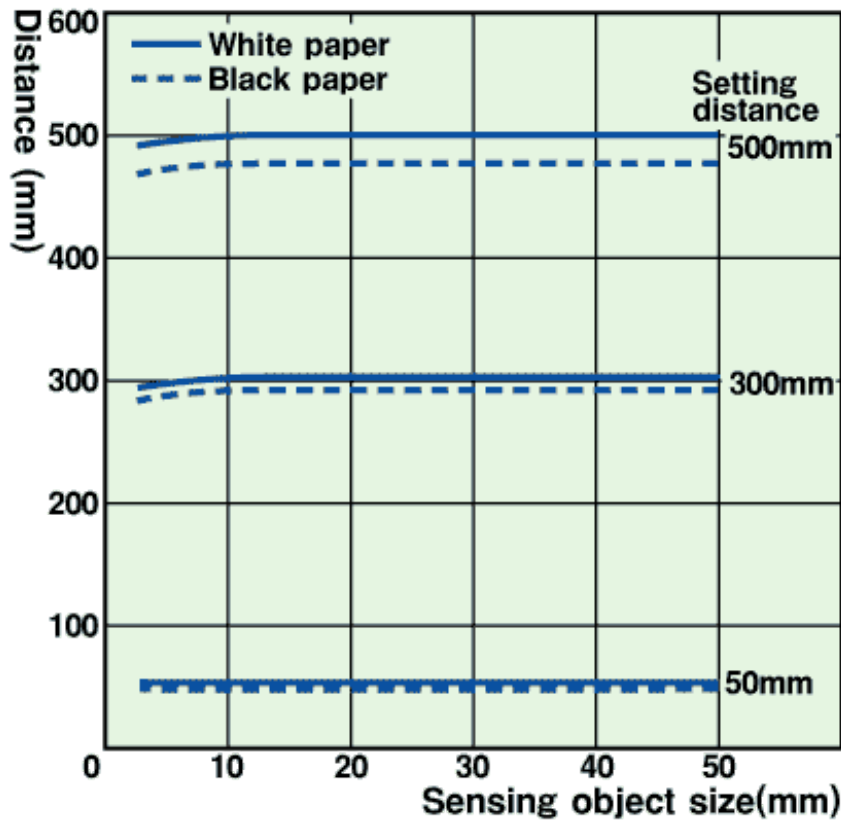


As of March 28, 2023

Setting distance

As of March 28, 2023

Sensing object size vs. setting distance



As of March 28, 2023