

# LED multifunction signal light LDA4

**Comax**  
Signaltechnik

## General information

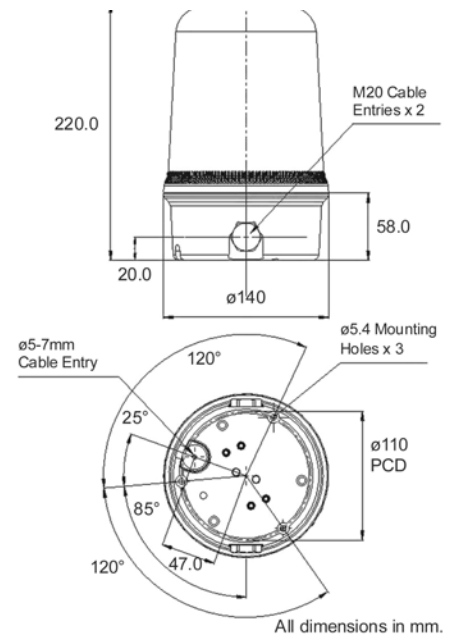
Compact and efficient LED multifunction signal light with a broad tension range. Various operation modes: Revolving flash light, strobe, status light. 32 high power LED's. High degree of protection IP65.

For applications in the machine and process industry or in building control.



## Technical data

Dimensions	Ø 140mm x 220mm		
Case	PC		
-colour	black		
Lens	PC		
-colours	red, amber, yellow, green, blue, clear		
Temperature range	-25°C up to +50°C		
Construction	Bayonet with anti-tamper locking screw		
Operation	continuous		
Signal options	Stage 1	Stage 2 (DC only)	Stage 3 (DC only)
	1 All LED's on	Alternate side flash 2Hz	Double strike flash 2Hz
	2 Rotating slow1	Alternate side flash	All LED's on
	3 Single strike flash 2Hz	Rotating fast 2	All LED's on
	4 Rotating fast 1	Single strike flash 2Hz	All LED's on
	5 Rotating slow 2	Double strike flash 1Hz	All LED's on
	6 Double strike flash 2Hz	Rotating fast 2	All LED's on
	7 Rotating fast 2	Double strike flash 1Hz	All LED's on
	8 Double strike flash 1Hz	Alternate side flash 2Hz	All LED's on
	9 Alternate side flash 2Hz	Rotating fast 2	All LED's on
Installation	Surface, wall, stand		
Connection	Cable entry through bottom Ø 5-7mm or on sides 2xM20		
Degree of protection	IP65 according to EN60529		
LED	32 high power LED's		
Weight	845g DC, 595g AC		



## Order data

No. of article	Nominal tension	Current consumption
LDA4.024.2*	10-50VDC	400mA (at 24VDC)
LDA4.115.7*	115VAC 50/60Hz	140mA
LDA4.230.7*	230VAC 50/60Hz	70mA

**Lens colours** 1 = red, 2 = amber, 3 = yellow, 4 = green, 5 = blue, 7 = clear

**Options** Wall mounting angle, stand (140mm)

Technical modifications without prior notice



**Comax**  
Signaltechnik

Comax Industrielle Signaltechnik AG, Thalstrasse 279, CH-4712 Laupersdorf/Schweiz  
Tel +41 32 617 31 41 E-mail @comax.ch Internet www.comax.ch

E\_LDA4\_REV1\_06\_06\_2016