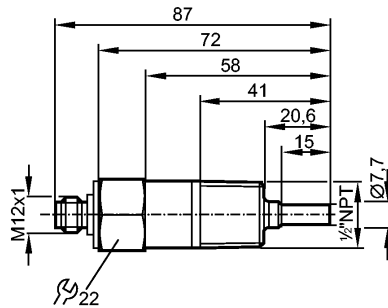


# SC0501

SCN12FFBBBOA

Flow sensors



## Product characteristics

Flow monitor

Compact type

Process connection: 1/2" NPT

Factory setting of the switch point

15 cm/s

(to water (20 °C) and mounting in 4" pipe)

## Application

Application	water
Pressure rating [bar]	25
Medium temperature [°C]	-10...60 *)

## Electrical data

Electrical design	AC/DC PNP
Operating voltage [V]	24 AC/DC ± 15% (AC: 47...63 Hz) <sup>1)</sup>
Withstand voltage [V DC]	500
Current consumption [mA]	< 50
Protection class	III
Reverse polarity protection	yes

## Outputs

Output function	normally open
Current rating [mA]	80 AC / 80 DC
Voltage drop [V]	< 0.8
Short-circuit protection	no
Overload protection	no

## Response times

Power-on delay time [s]	15
Response time [s]	1...10

## Environment

MAWP (for applications according to CRN) [bar]	25
Ambient temperature [°C]	-20...70
Storage temperature [°C]	-40...70
Protection	IP 67

## Tests / approvals

EMC	DIN EN 61000-6-2 DIN EN 61000-6-3
-----	--------------------------------------

# SC0501

SCN12FFBBBOA

Flow sensors

Shock resistance	DIN EN 60068-2-27	50 g (11 ms)
Vibration resistance	DIN EN 60068-2-6	20 g (10...2000 Hz)

## Mechanical data

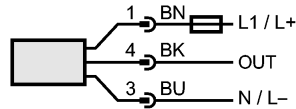
Process connection	½" NPT	
Materials (wetted parts)	stainless steel 316L / 1.4404	
Housing materials	stainless steel 316L / 1.4404	
Tightening torque [Nm]	100 (with stainless steel adapter or to ANSI B1.20.1)	
Weight [kg]	0.081	

## Electrical connection

Connection	M12 connector	
Max. cable length [m]	10	

### Wiring

Core colours  
BK black  
BN brown  
BU blue



OUT: Switching output  
Note: miniature fuse to IEC60127-2 sheet 1,  
≤ 2 A (fast acting)  
Colours to DIN EN 60947-5-2

## Remarks

Remarks	1) to EN50178, SELV, PELV *) in case of medium temperatures < 4°C the data refer to water/glycol (40% glycol)
Pack quantity [piece]	1