



SR-X300W

AI-Powered Code Reader



Specifications

Model		SR-X300W *1	
Type		Wide-field type (2.3 megapixels)	
Receiver	Sensor		CMOS image sensor
	Number of pixels		1920 × 1200
	Focus		Auto*2
Emitter	Illumination light source		High-intensity red/white LED*3
	Pointer light source		High-intensity green LED*3
Reading specifications	Supported symbols	2D codes	QR, MicroQR, DataMatrix(ECC200), DMRE, GS1 DataMatrix, PDF417, MicroPDF417, GS1 Composite (CC-A/CC-B/CC-C), DotCode, Maxi Code, Aztec Code
		Barcodes	CODE39, ITF, 2of5 (Industrial 2of5), COOP 2of5, NW-7 (Codabar), CODE128, GS1-128, GS1 DataBar, CODE93, JAN/EAN/UPC, Trioptic CODE39, CODE39 Full ASCII, Pharmacode, Postal (Japan Postal, IMB)
	Minimum resolution	2D codes	0.060 mm 0.0024"
		Barcodes	0.082 mm 0.0032"
	Reading distance		50 to 1000 mm 1.97" to 39.37"
Reading field of view		267 × 166 mm 10.51" × 6.54" (at a distance of 300 mm 11.81")	
I/O specifications	Control input	Number of inputs	2
		Input type	Bidirectional voltage input
		Maximum rating	30 VDC
		Minimum ON voltage	15 VDC
		Maximum OFF current	0.2 mA
	Control output	Number of outputs	3
		Output type	Photo MOS relay output
		Maximum rating	30 VDC
		Maximum load current	50 mA or less for 1 output, or 100 mA or less in total for 3 outputs
		Leakage current when OFF	0.1 mA or less
		Residual voltage when ON	1 V or less
	Ethernet	Communication standard	IEEE 802.3-compliant 100BASE-TX
		Supported protocols	TCP/IP, SNMP, FTP, SFTP, HTTP, HTTPS, BOOTP, EtherNet/IP®, PROFINET, KV STUDIO, MC protocol, OMRON PLC link
	Serial communication	Communication standard	RS-232C-compliant

		Communication speed	600, 1200, 2400, 4800, 9600, 19200, 38400, 57600, 115200 bps
		Supported protocols	No-protocol, KV STUDIO, MC protocol, SYSWAY
	USB	Communication standard	USB 2.0 High Speed compliant
Ratings	Power voltage		24 VDC +25%/-20%
	Current consumption		Approx. 750 mA
Environmental resistance	Enclosure rating		IP65/IP67 (IEC60529)*4
	Ambient temperature		0 to +45°C 32 to 113°F
	Storage temperature		-10 to +50°C 14 to 122°F
	Relative humidity		35 to 85% RH (No condensation)
	Storage relative humidity		
Weight			Approx. 200 g 7.06 oz

*1 System ROM rewrites: 100000

*2 The focal position can be adjusted automatically during installation or tuning.

*3 LEDs and lamps are classified as shown below according to IEC 62471 (JIS C 7550).

- Exempt group: Objects that do not cause any photobiological damage.
- Risk group 1 (low risk): Objects that do not cause damage that makes constraints on normal actions necessary.
- Risk group 2 (moderate risk): Objects that do not cause damage accompanied by unpleasant feelings and thermal discomfort.
- Risk group 3 (high risk): Objects that cause damage even due to temporary or short-term exposure.

The risk groups for this product are listed below.

Pointer light source (Green): Risk group 1

Illumination light source (Red): Risk group 1

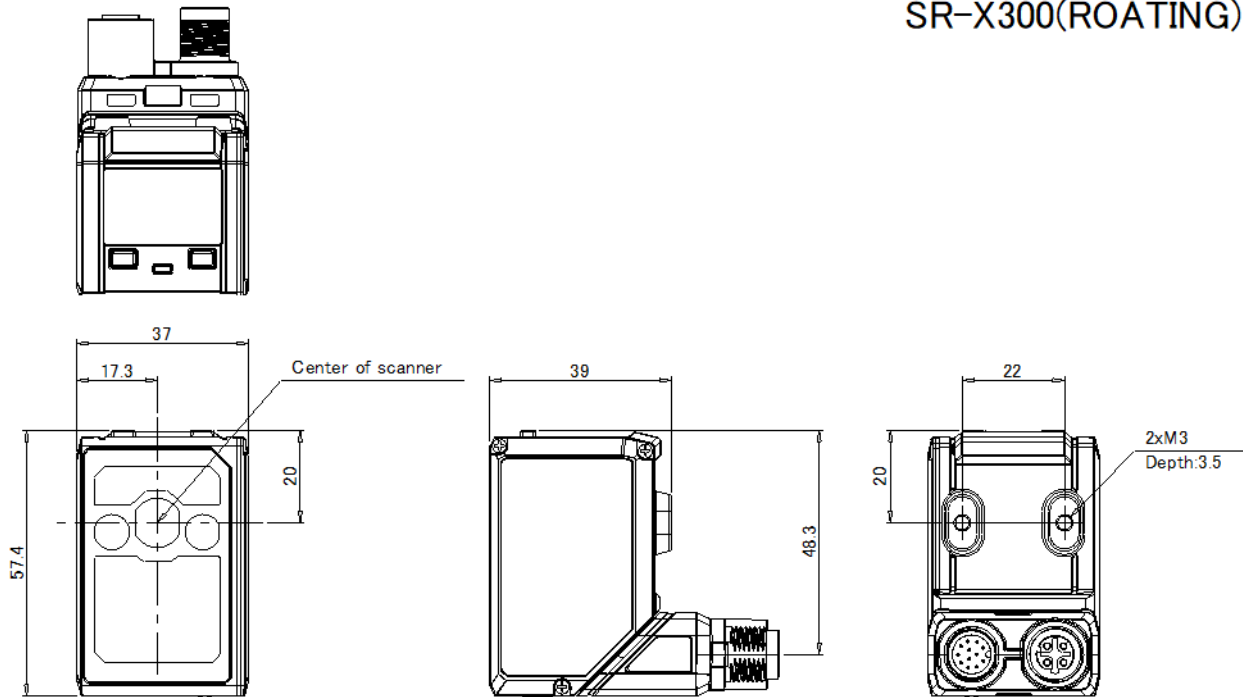
Illumination light source (White), Advance only: Risk group 1

*4 Attach a USB port cover to meet the protective structural specification.

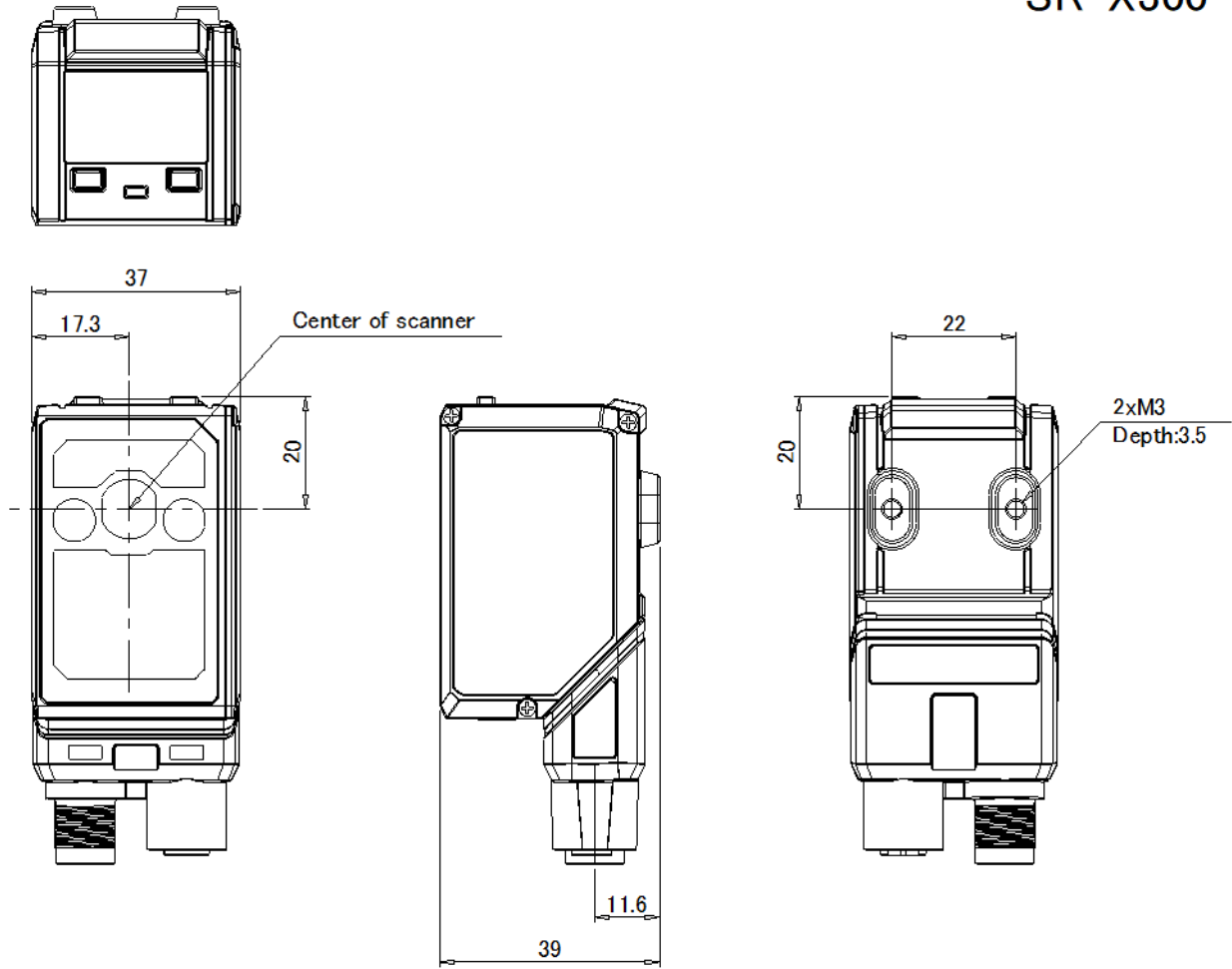
Dimensions

* Download CAD file or product manual for larger image/text and more detail.

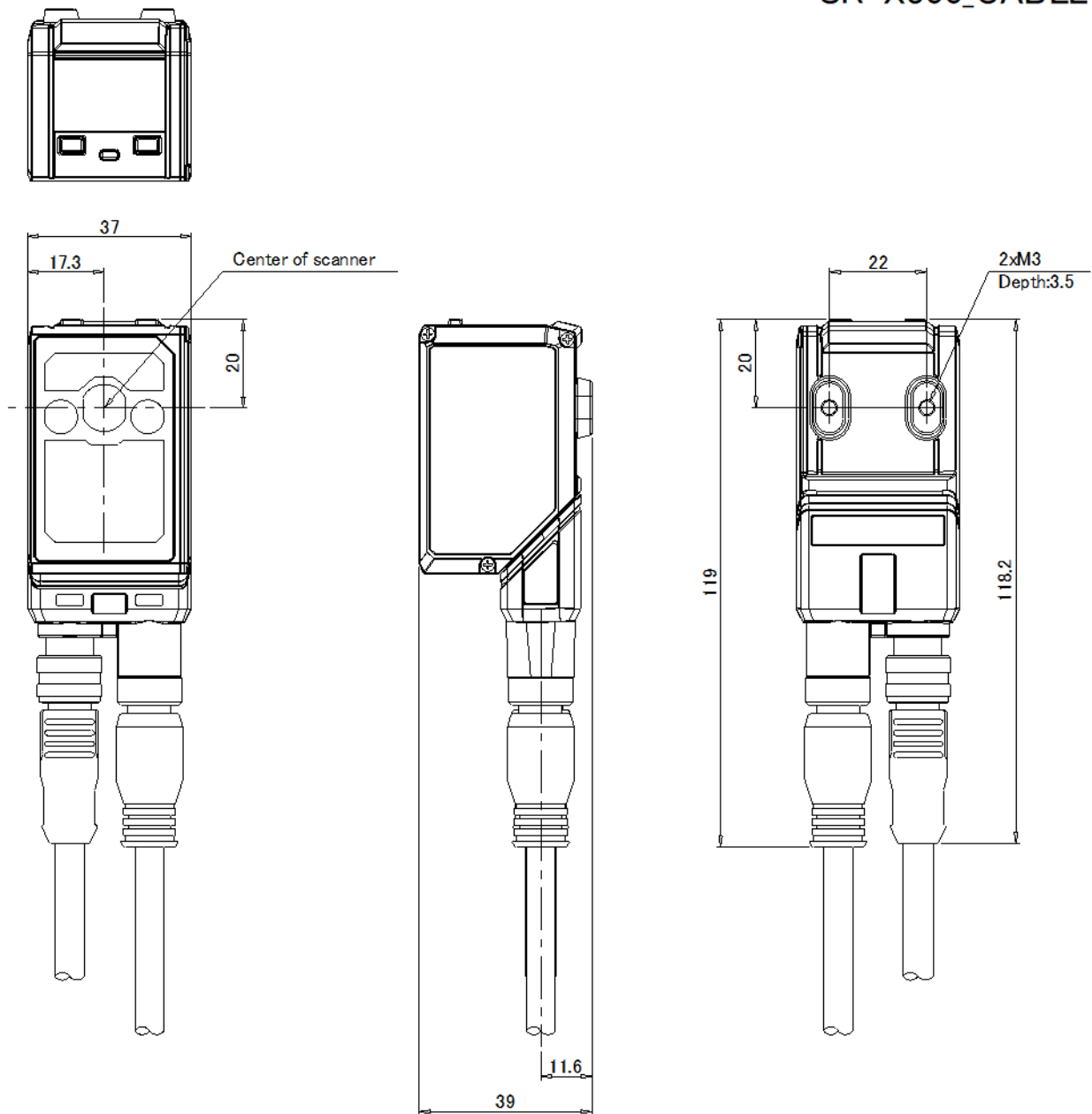
SR-X300(ROATING)



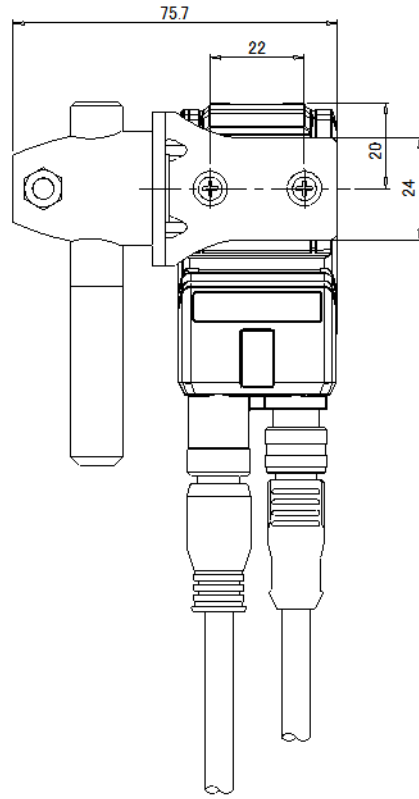
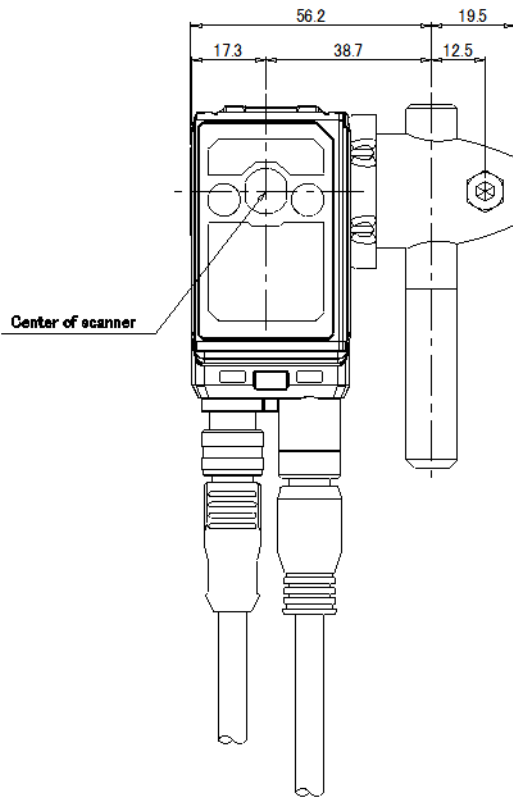
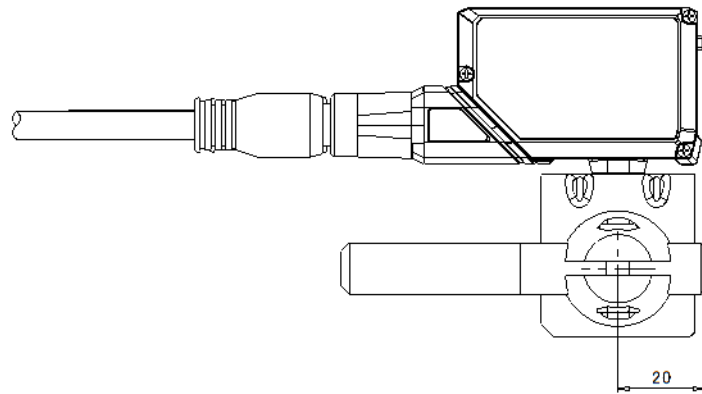
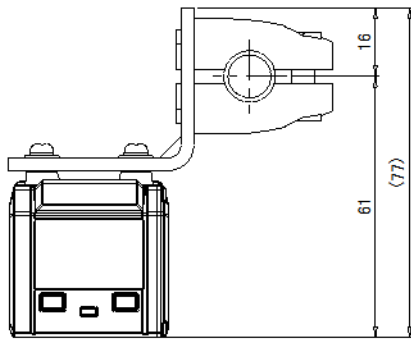
SR-X300



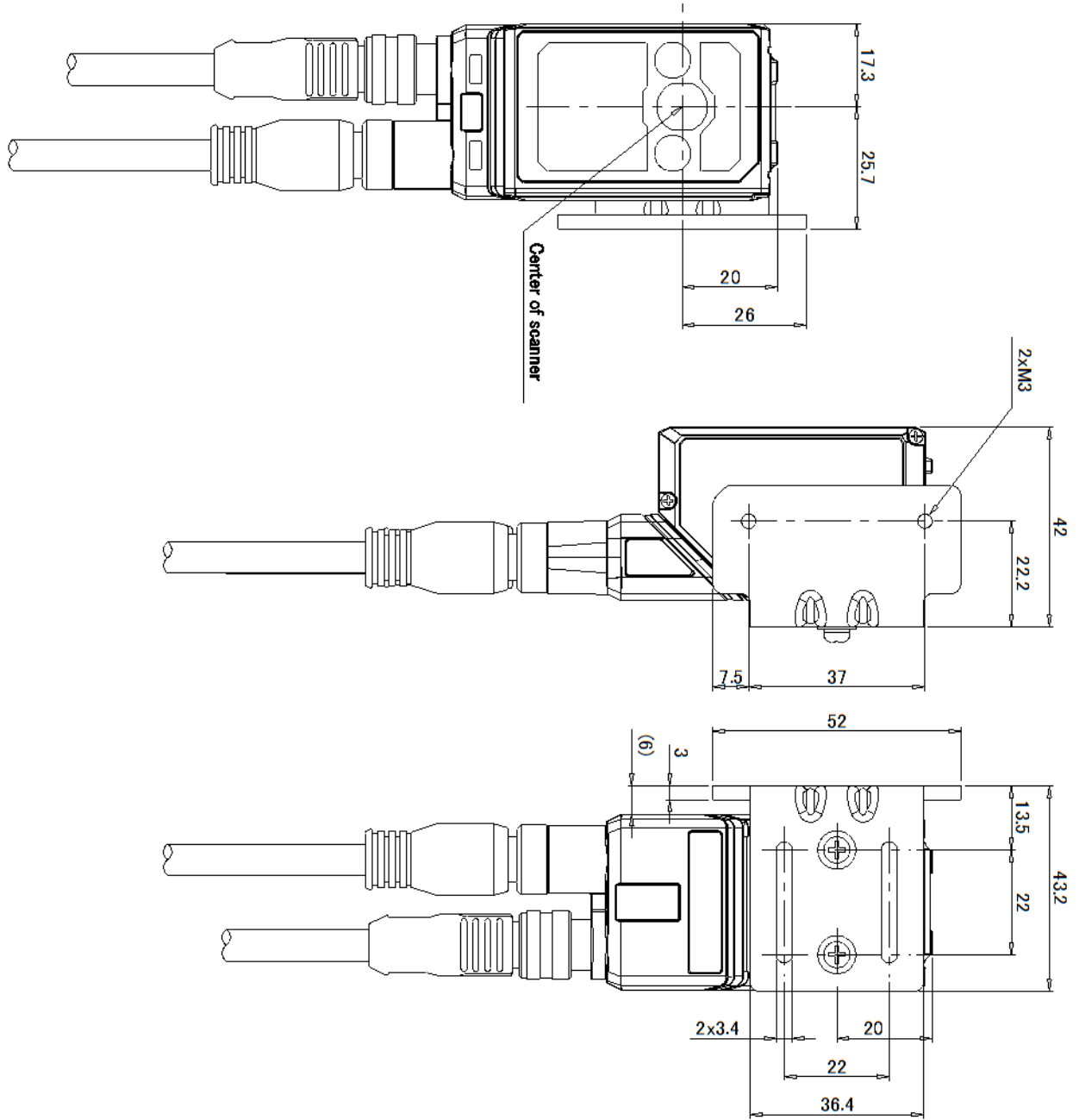
SR-X300_CABLE



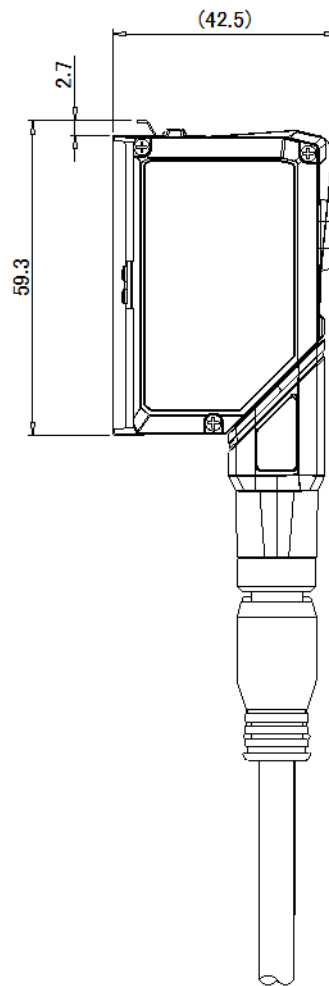
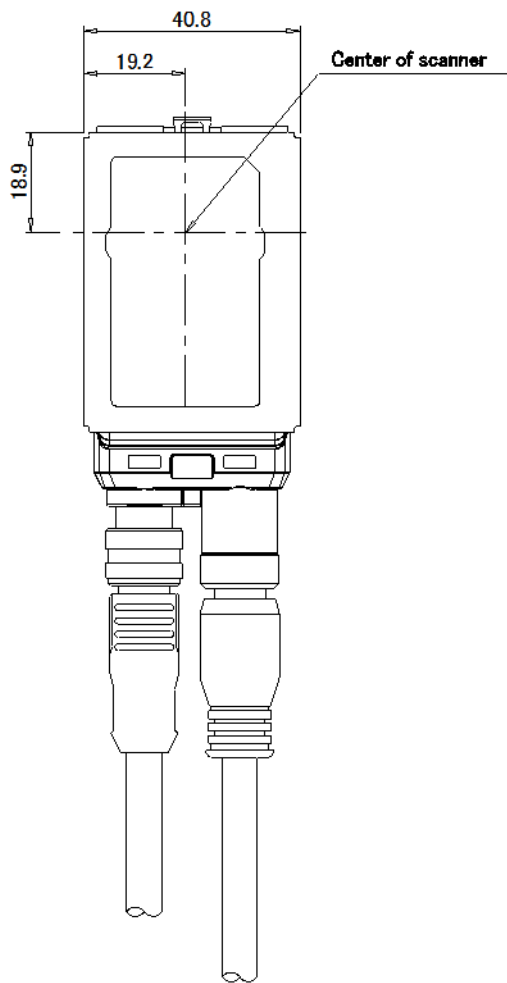
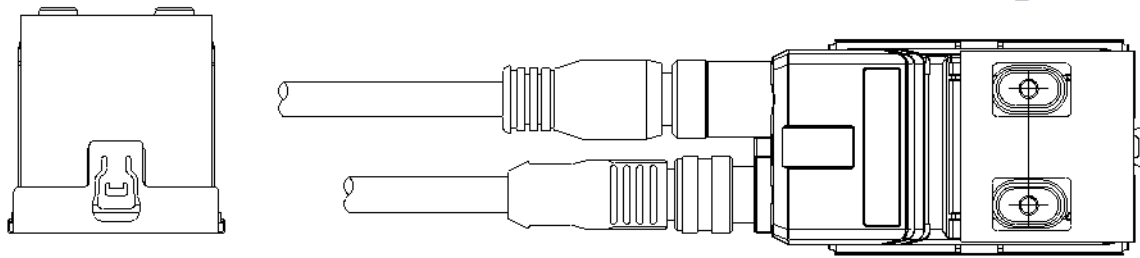
SR-X300_OP-88697



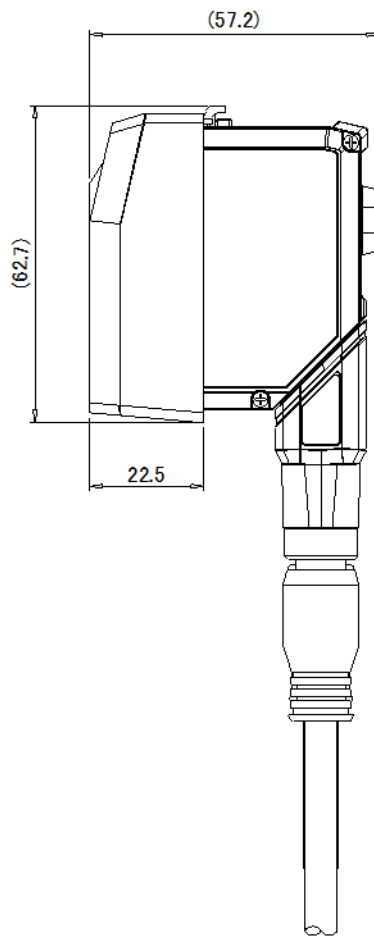
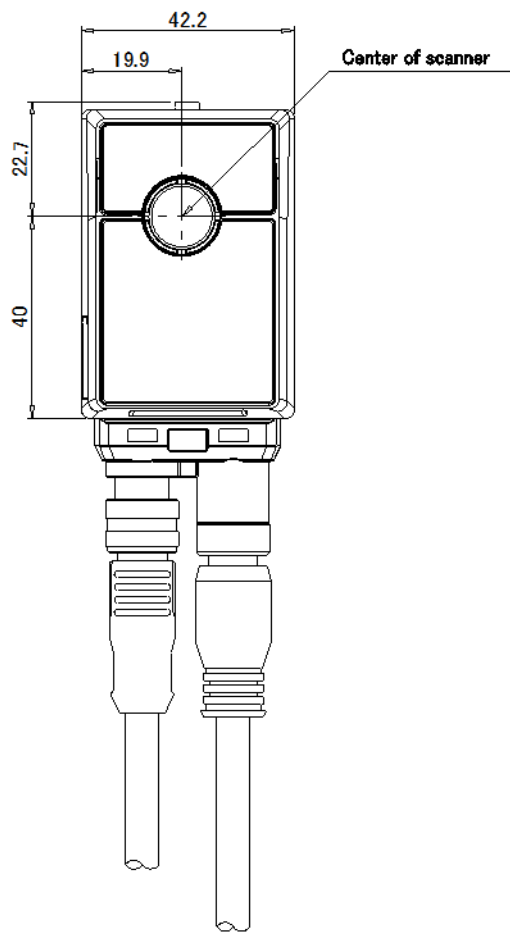
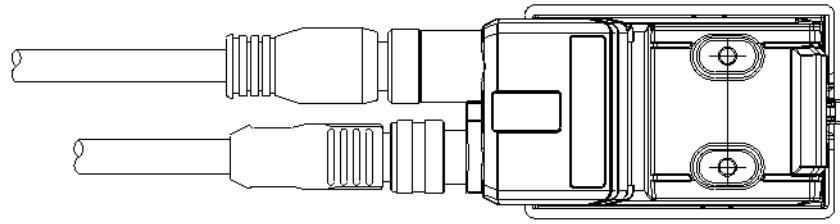
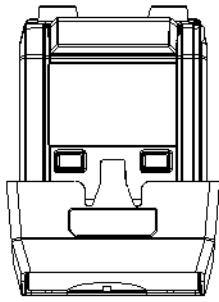
SR-X300_OP-88698



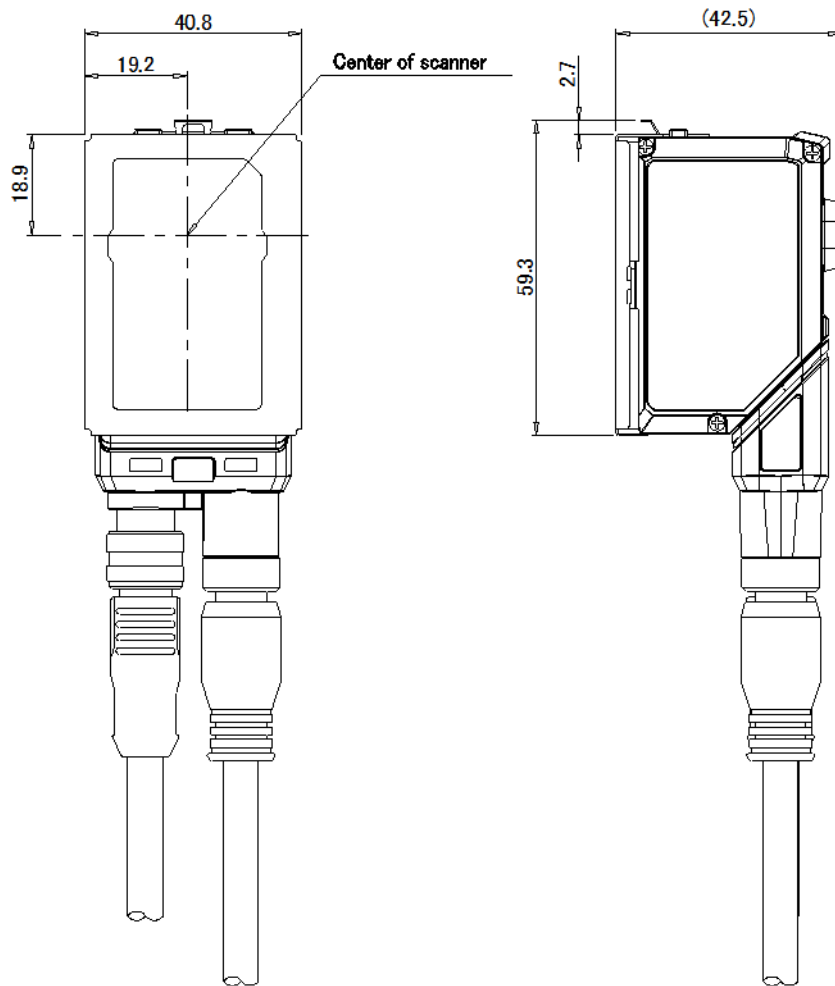
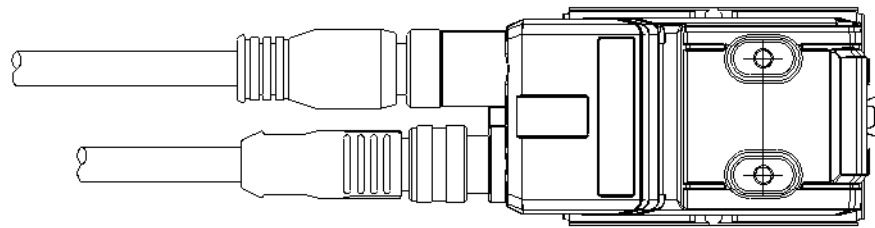
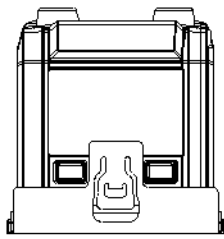
SR-X300_SR-XESD



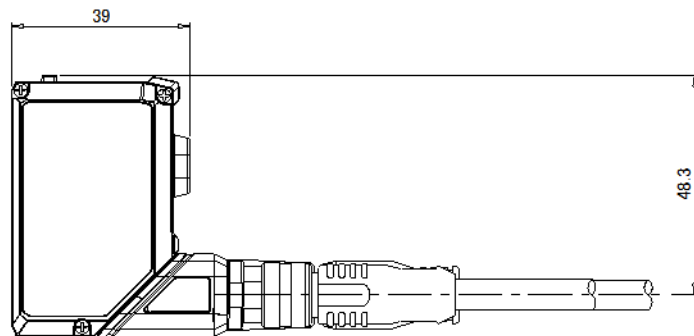
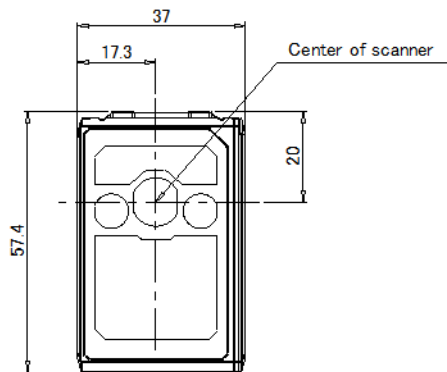
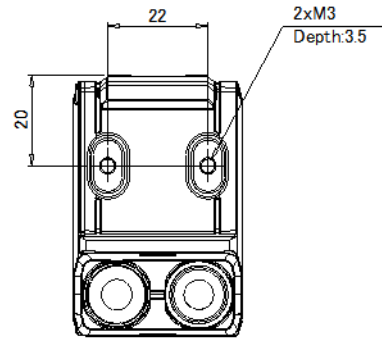
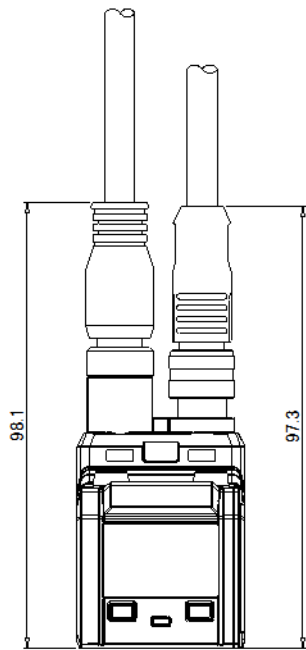
SR-X300_SR-XHR



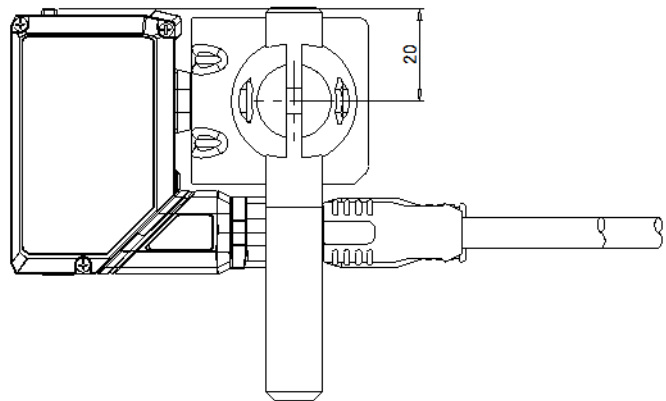
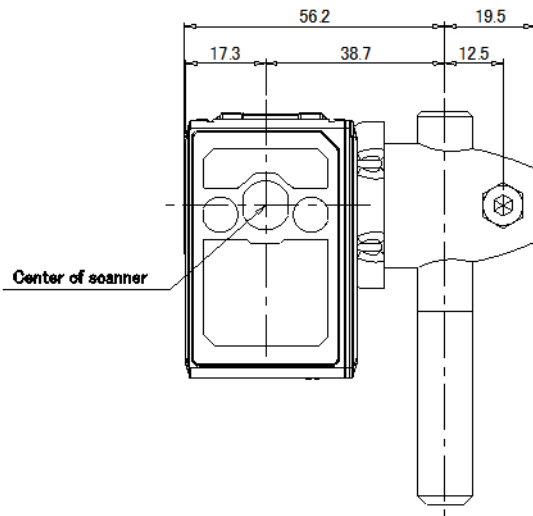
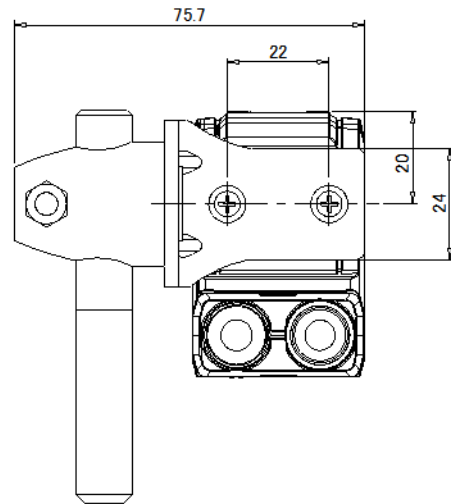
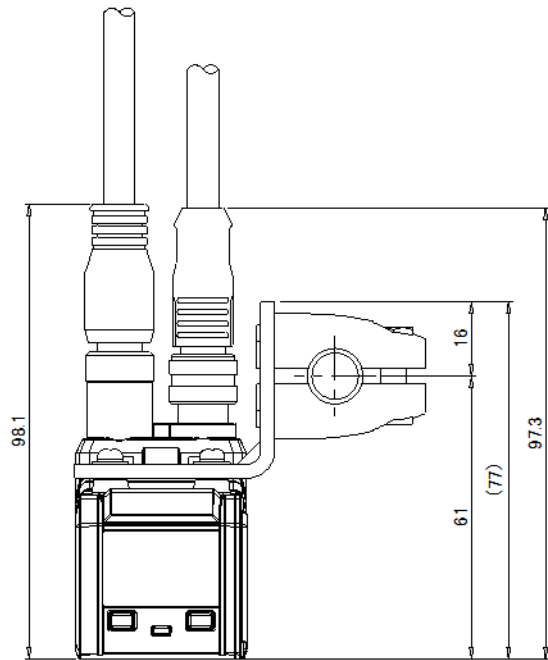
SR-X300_SR-XLP



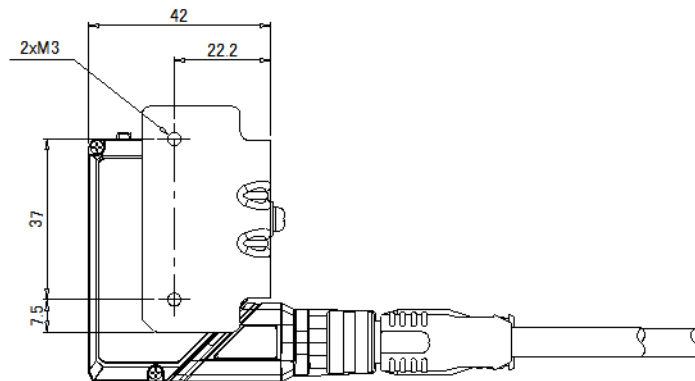
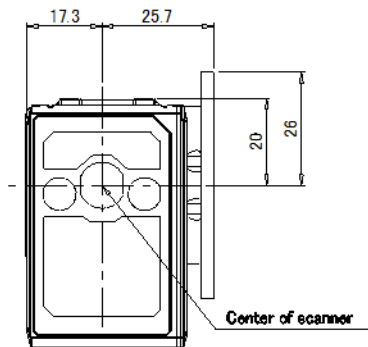
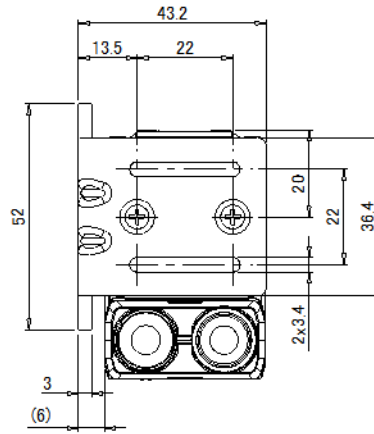
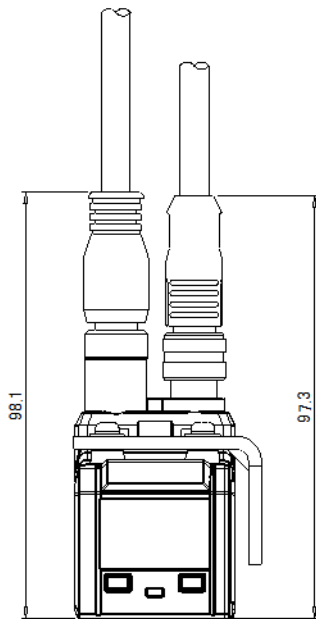
SR-X300(ROATING)_CABLE



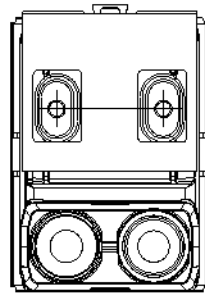
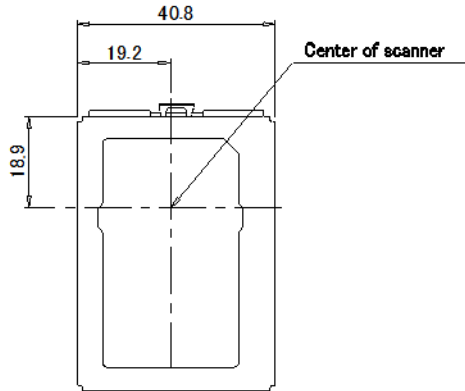
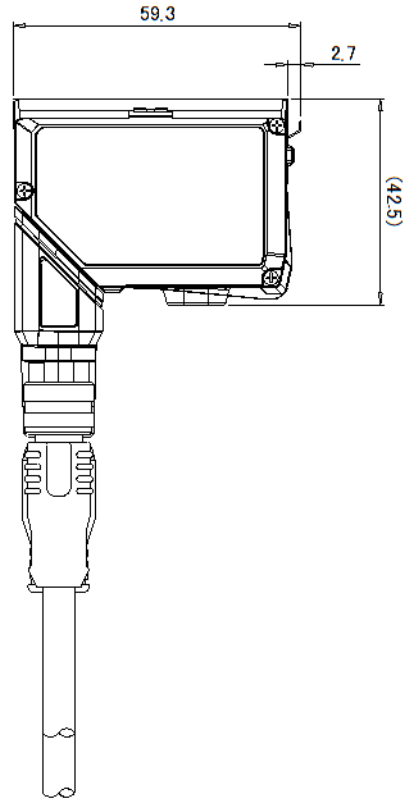
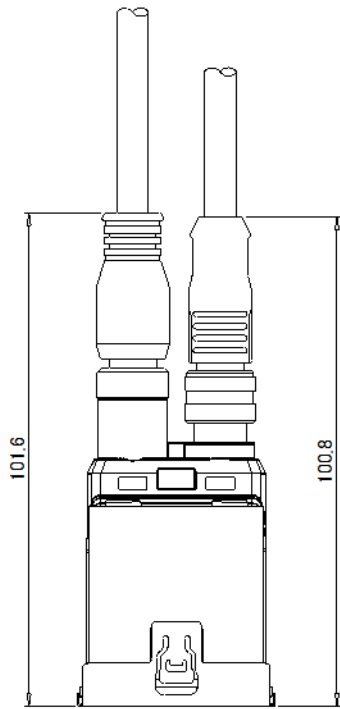
SR-X300(ROATING)_OP-88697



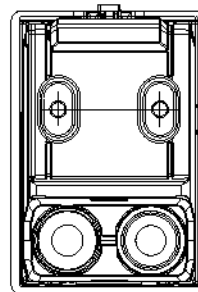
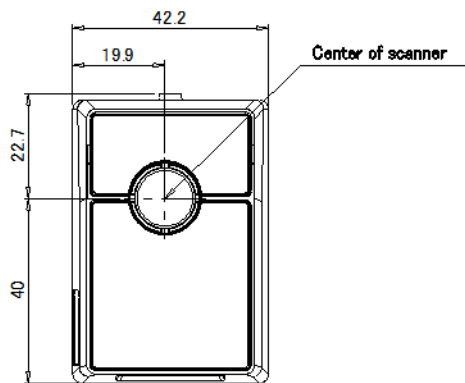
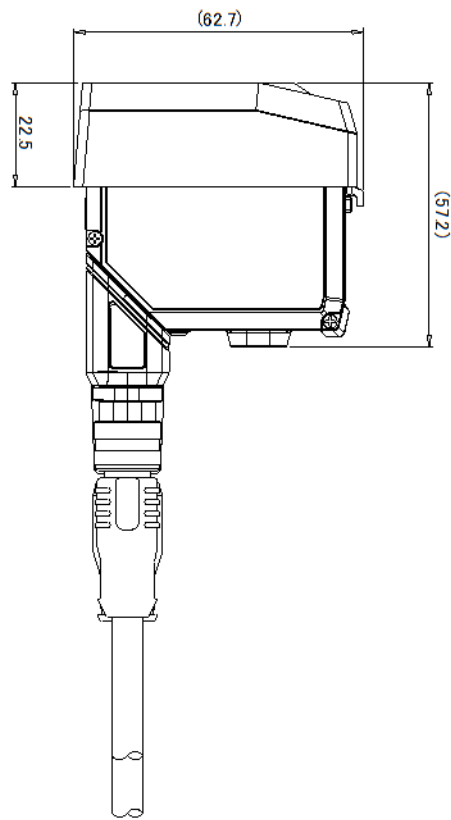
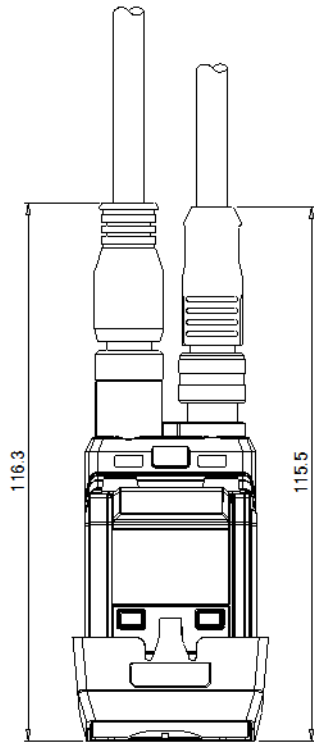
SR-X300(ROATING)_OP-88698



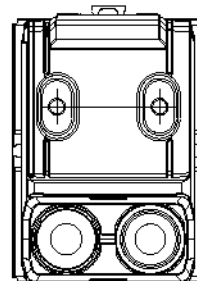
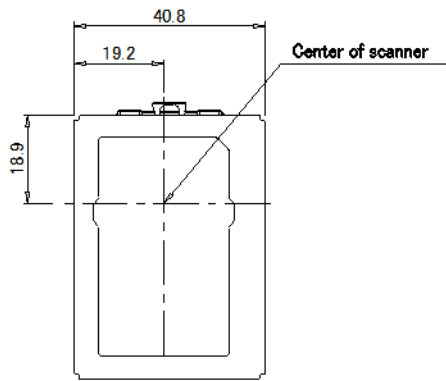
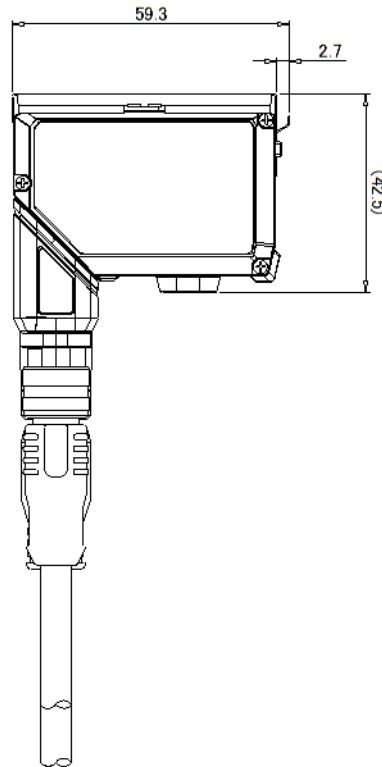
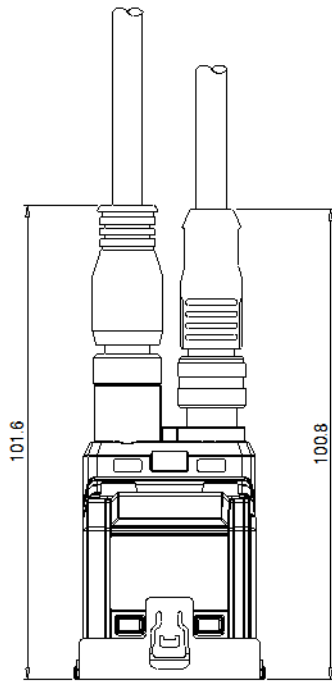
SR-X300(ROATING)_SR-XESD



SR-X300(ROATING)_SR-XHR

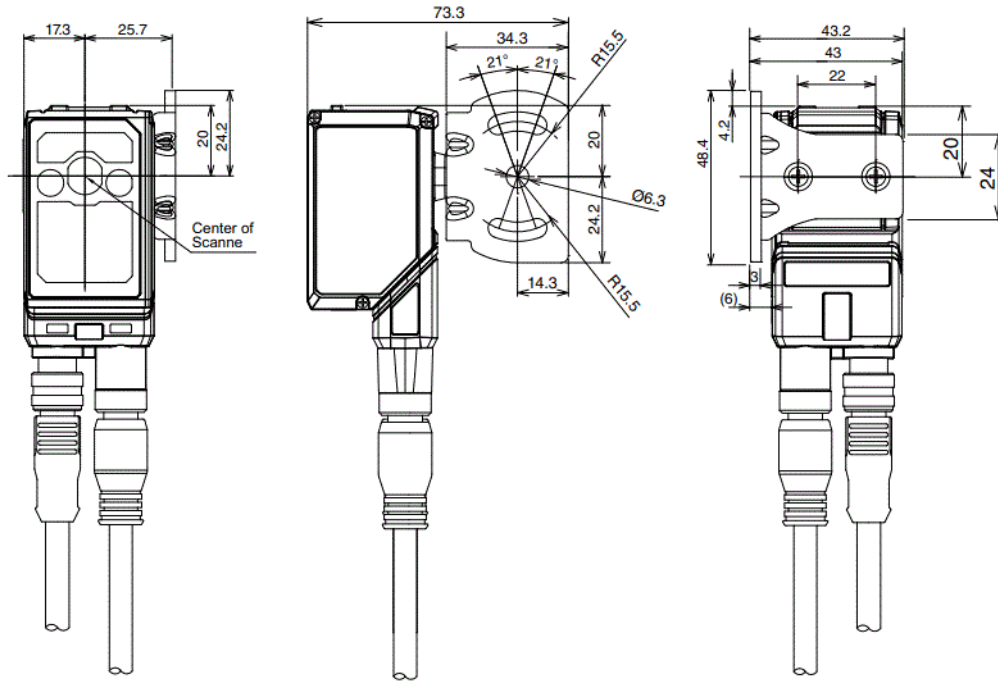


SR-X300(ROATING)_SR-XLP



● SR-X300+OP-88696

Unit: mm



● SR-X300+OP-88699

Unit: mm

